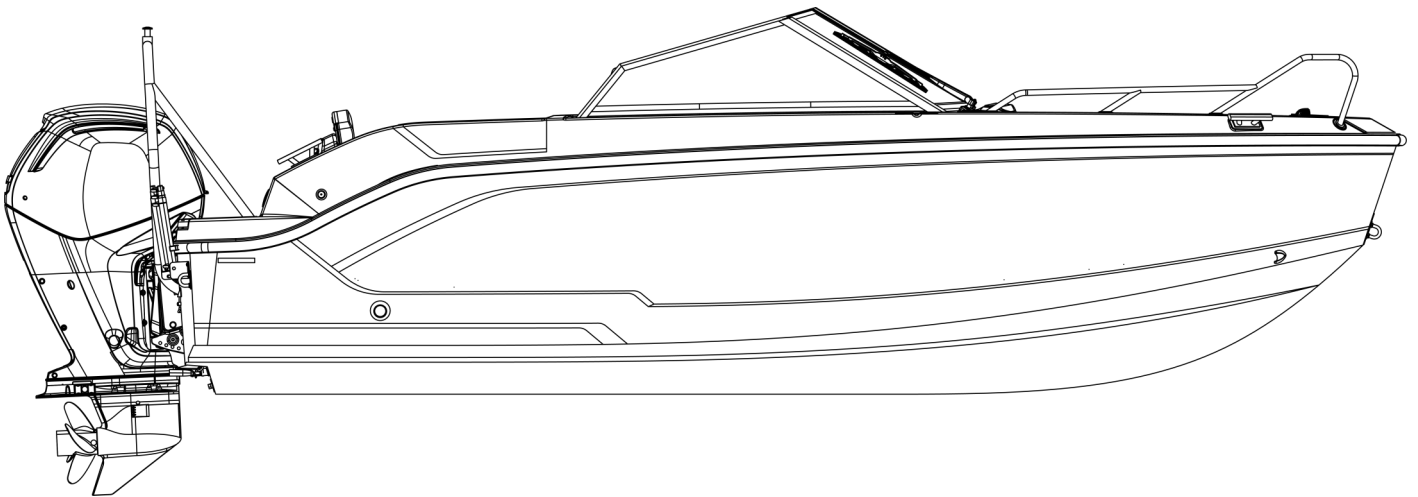


# UTTERN

## T53 Owner's Manual





---

## Welcome

---

Congratulations on becoming a new owner of an Uttern boat. This Owner's Packet will provide important information about the features of your boat and should be, at all times, kept aboard your boat. Take time to carefully review the information in this packet to really get to know your boat.

The Owner's Packet will contain the following:

- **Model Specific Owner's Manual**  
The model specific manual contains information vital to understanding the operation of your boat.
- **Original Equipment Manufacturer (OEM) Information**  
The OEM information contains manuals provided by the individual system manufacturers of the equipment installed on your boat. These include items such as engine controls, electronics, and stereos, just to name a few. The Owner's Manual will often refer to information provided by the manufacturers of specific systems.

Please keep this manual in a secure place, and transfer to the new owner when you sell the craft.

Information and assistance is also available via our website, [www.uttern.com](http://www.uttern.com).

Information in this publication is based upon the latest production specifications available at printing.

Uttern reserves the right to make changes at any time, without notice, in the colors, equipment, specifications, materials and prices of all models, or to discontinue models. Should changes in production models be made, Uttern is not obligated to make similar changes or modifications to models sold prior to the date of such changes.

**UTTERN • A BRUNSWICK COMPANY**

**INT 2323806**

UTTERN T53

FEBRUARY 2019

---

# Table of Contents

---

## Introduction

1. Owner's Manual .....	vi
2. Your Responsibilities .....	vi
3. Safety / Warning Labels .....	vi
4. Dealer Responsibilities .....	vii
5. Craft Identification Number (CIN) .....	vii
6. Warranty Information .....	vii

## General Information

1. Basic Boat Dimensions & Specifications.....	1
2. Vessel Stability.....	2
3. Load Capacity .....	2
4. Passenger Locations .....	3
5. Design Categories.....	3
6. Safety Label Locations .....	4
7. Deck Layout (standard equipment) .....	5
8. Deck Layout (optional equipment) .....	6
9. Cockpit Storage .....	6
10. Thru Hull Locations.....	7
11. Dash Layout .....	7
12. Navigation Lights .....	8
13. Engine .....	10
14. Trailering .....	10
15. Strong Points .....	10

## System & Component Overview and Operation

1. Fuel System .....	12
2. Bilge Pump.....	14

3. Fire Prevention.....	15
4. Carbon Monoxide Monitor .....	16
5. Steering .....	18
6. Engine Controls .....	19
7. Emergency Engine Shutdown Switch.....	19
8. Smartcraft® Gauges .....	20
9. Active Trim (optional) .....	20
10. Theft Deterrent System (optional).....	20
11. Stereo (optional) .....	21
12. Windshield Wiper (optional).....	21
13. Cockpit Table (optional).....	21
14. Sun Lounge (optional) .....	22
15. Ski Tower (optional) .....	22
16. Canvas (optional) .....	23

## Electrical Systems

1. DC Electrical .....	25
2. Battery.....	25
3. Battery Box.....	25
4. Battery Selector Switch.....	25
5. Fuses and Breakers .....	26
6. Electrical Schematics.....	27

## Maintenance

1. Maintenance .....	29
2. Hull & Deck Surfaces.....	29
3. Component Maintenance .....	30

---

# Introduction

---

## 1. Owner's Manual

The material here and the rest of the Owner's manual packet:

- Gives you basic safety information
- Describes the fundamentals of boat use
- Describes the features of your boat
- Describes the equipment on your boat
- Contains service and maintenance information

**You must learn to safely operate this boat as well as read, understand and use the information contained in this package.**

What this manual does not give you is a course in boating safety, or how to navigate, anchor or dock your boat. Operating a power boat safely requires more skills, knowledge and awareness than is necessary for a car or truck.

## 2. Your Responsibilities

For your safety, the safety of your passengers, other boaters and people in the water, you must take a boating safety course and get instruction in the safe and proper handling of your boat. Understand and follow the "Rules of the Road" and learn how to navigate.

Do not forget that a boating license is mandatory in many countries for vessels above a certain engine power. These regulations can vary depending on the country or region that you are located in. Finally, your boat must be registered with the proper navigation authorities. A Declaration of Conformity is part of the documents that you receive with the boat and it must be kept aboard with other official documents at all times. The Declaration of Conformity is mandatory when registering the boat.

## 3. Explanation of Safety Labels

The most important aspect of boating is safety. Although every effort is made to address the numerous issues regarding the safe usage of your boat, it is strongly recommended that you avail yourself of the training and knowledge available through boating safety courses, etc.

### Safety Precautions

Mounted at key locations throughout your boat and duplicated in this manual are labels which advise the owner/operator of imperative safety precautions to follow when operating or servicing equipment. Learn to recognize the degree of precaution and understand the explanations of safety prior to reading this manual. These precautions are not all-inclusive. Always use common sense in the operation of your boat.

- Do not remove or obstruct any safety label.
- Replace any label which becomes illegible. Replacement safety labels can be obtained by calling your dealer

#### DANGER

DANGER—Immediate hazards which will result in severe personal injury or death if the warning is ignored.

#### WARNING

WARNING—Hazards or unsafe practices which MAY result in severe personal injury or death if the warning is ignored.

#### CAUTION

CAUTION—Hazards or unsafe practices which could result in minor injury, product or property damage if the warning is ignored.

#### NOTICE

NOTICE—Information which is important to proper operation or maintenance, but is not hazard related.

---

## Introduction

---

### 4. Dealer Responsibilities

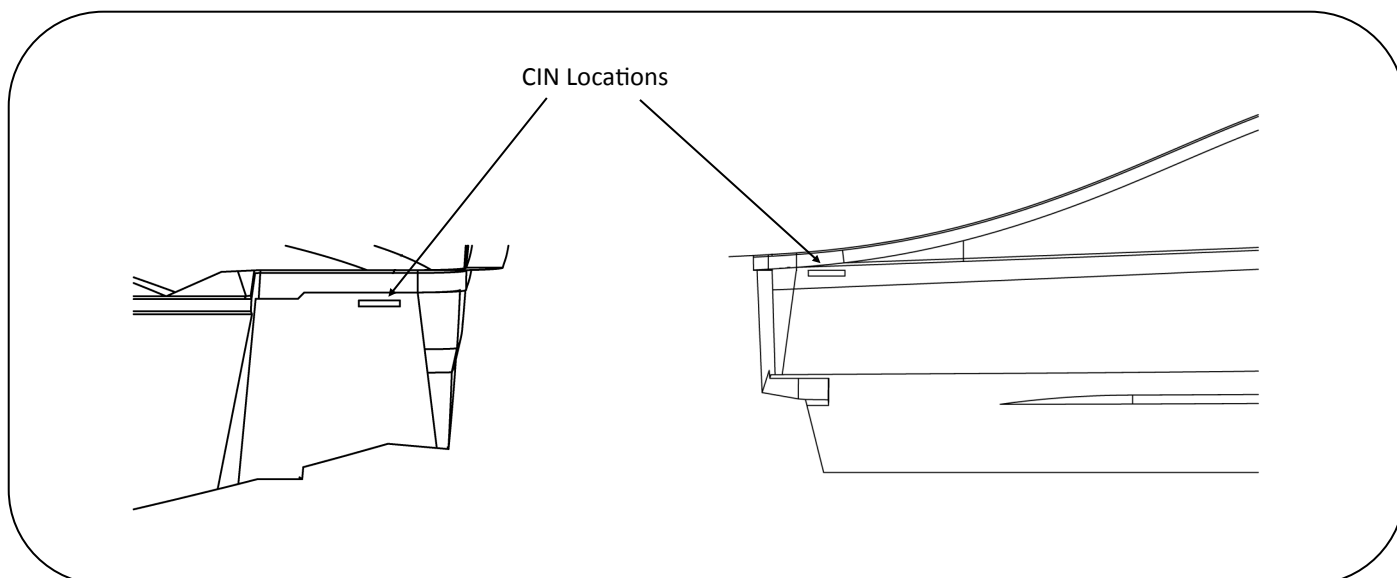
In addition to a pre-delivery check and service of the boat, your dealer is to provide:

- A description and demonstration of the safety systems, features, instruments and controls on your boat
- An orientation in the general operation of your boat
- A review of all warranty information and how to obtain warranty service
- The Owner Information Package

If you do not receive all of these materials, or have any questions, contact your dealer.

### 5. Craft Identification Number (CIN)

The Craft Identification Number is located either on the starboard side of the transom, or on the aft starboard side of the hull under the gunwale if the boat has an optional swim platform, and is your boat's most important identifying factor. The CIN must be included in all correspondence related to the vessel. Also of vital importance is the engine serial number(s) and part number(s) when ordering parts for your engine.



### 6. Warranty

You will find information regarding the Uttern warranty following the introduction. A warranty information card is also included in the owner information packet. If for some reason this information is missing, contact your Uttern dealer.

#### Registration

Contact your dealer or the distributor in your country, or the Brunswick Marine in EMEA Center closest to you.

#### Transfer of Warranty

Contact the distributor in your country, or the Brunswick Marine in EMEA Center closest to you.

---

## Introduction

---

# UTTERN

## About Your Limited Warranty

The Uttern Division of Brunswick Marine in EMEA (Uttern) provides the following Limited Warranty to the original retail owner of its Uttern boat, if purchased from an authorized dealer and operated under normal, subject to remedies, exclusions, and limitations set out in this Limited Warranty.

### Europe and Confederation of Independent States

**WHAT IS COVERED:** Brunswick Marine in EMEA warrants its new products to be free of defects in material and workmanship during the period described below.

**DURATION OF COVERAGE:** This Limited Warranty provides coverage for two (2) years from the date the product is first sold to a recreational use retail purchaser, or the date on which the product is first put into service, whichever occurs first. Commercial users of these products receive warranty coverage of one (1) year from the date of first retail sale, or one (1) year from the date in which the product was first put into service, whichever occurs first.

Commercial use is defined as any work or employment related use of the product, or any use of the product which generates income, for any part of the warranty period, even if the product is occasionally used for such purposes.

The repair or replacement of parts, or the performance of service under this warranty, does not extend the life of this warranty beyond its original expiration date. Unexpired warranty coverage can be transferred from one recreational use customer to a subsequent recreational use customer upon proper registration of the product. Unexpired warranty coverage may be terminated for use or repossessed product; or product purchased at auction, from a salvage yard, or from an insurance company.

**CONDITIONS THAT MUST BE MET IN ORDER TO OBTAIN WARRANTY COVERAGE:** Warranty coverage is available to only to retail customers that purchase from a Dealer authorized by Brunswick Marine in EMEA to distribute the product in the country in which the sale occurred, and then only after the Brunswick Marine in EMEA specified predelivery inspection process is completed and documented. Warranty coverage becomes available upon proper registration of the product by the authorized dealer. Routine maintenance outlined in the Operation and Maintenance Manual must be timely performed in order to maintain warranty coverage. Brunswick Marine in EMEA reserves the right to make future warranty coverage contingent on proof of proper maintenance.

**WHAT BRUNSWICK MARINE IN EMEA WILL DO:** Brunswick Marine in EMEA's sole and exclusive obligation under this warranty is limited to, at our option, repairing a defective part, replacing such part or parts with new or Brunswick Marine in EMEA certified remanufactured parts, or refunding the purchase price of the Brunswick Marine in EMEA product. Brunswick Marine in EMEA reserves the right to improve or modify products from time to time without assuming an obligation to modify products previously manufactured.

**HOW TO OBTAIN WARRANTY COVERAGE:** The customer must provide Brunswick Marine in EMEA with a reasonable opportunity to repair, and reasonable access to the product for warranty service. Warranty claims shall be made by delivering the product for inspection to a Brunswick Marine in EMEA authorized dealer to service the product. If purchaser cannot deliver the product to such a dealer, written notice must be given to Brunswick Marine in EMEA. We will then arrange for the inspection and any covered repair. Purchaser in that case shall pay for all related transportation charges and/or travel time. If the service provided is not covered by this warranty, purchaser shall pay for all related labor and material, and any other expenses associated with that service. Purchaser shall not, unless requested by Brunswick Marine in EMEA, ship the product or parts of the product directly to Brunswick Marine in EMEA. Proof of registered ownership must be presented to the dealer at the time warranty service is requested in order to obtain coverage.

**WHAT IS NOT COVERED:** As expressly set out herein, all warranties provided by the manufacturers and distributors of components, equipment, and parts ("Component Manufacturer") on the boat are hereby assigned to the owner, to the extent permitted by the Component Manufacturer, as the owner's sole and exclusive remedy with respect to such items. Any assistance by Brunswick Marine in EMEA and/or its authorized dealers with regard to component warranties shall not constitute an adoption of the responsibilities of a component manufacturer with regard to its component warranties. This Limited Warranty does not apply to any Uttern which has been salvaged or declared a total loss or a constructive total loss for any reasons not covered in this Limited Warranty. This Limited Warranty also does not apply to the following items:

1. Engines, drivetrains, controls, propellers, batteries, other equipment or accessories that carry their own individual warranties, or equipment and accessories which are not installed by Uttern
2. Window damage or breakage

---

## Introduction

---

3. Rainwater leakage, including rainwater leakage through convertible tops
4. Damage or deterioration of cosmetic surface finishes, including cracking, crazing, discoloration, air voids, fading or oxidation of gel coat, wood finishers (varnishes, stains, and paints), fabrics, vinyls, plastics, trim tape, plated or painted metal, stainless steel finishes, anti-fouling bottom paint, or zinc anodes
5. Any Uttern which has been altered or modified from Brunswick Marine in EMEA factory specifications
6. Any Uttern initially sold at retail by a party other than an authorized Brunswick Marine in EMEA dealer
7. Any Uttern which has been used for racing or military purposes, or which has been overpowered according to Brunswick Marine in EMEA factory specifications for such Uttern
8. Any Uttern used for Commercial Purposes. Commercial Purposes, as used herein, means a vessel with more than 50% usage for business or revenue-producing purposes.
9. Any failure or defect caused by an accident, product abuse or misuse, failure of the owner to use, maintain, or store the Uttern as specified in Brunswick Marine in EMEA owner's manual(s), and any other failure to provide reasonable care and maintenance.
10. Any transportation, haul out, or other expenses incurred in returning the Uttern to the selling dealer or to the Brunswick Marine in EMEA factory for warranty service.
11. Any representation or implication relating to speed, range, fuel consumption or estimated performance characteristics.
12. Damage, shrinkage, or deterioration of carpet, upholstery, and exterior canvas tops, enclosures, and weather covers (including rainwater leakage)
13. Any failure or defect caused by an act of nature resulting in damage, cost, or expense
14. Any transportation
15. Any failure or defect arising from a previous repair made by a non-authorized service provider
16. Any item exceeding the expressed coverage limits specified in any Brunswick Marine in EMEA Limited Warranty
17. Any defect or repair requiring redesign of the Uttern, except pursuant to the recall provisions of the United States Federal Boat Safety Act of 1971, or the recall laws of any other foreign jurisdiction.

**SOLE REMEDY:** The remedy of repair or replacement of parts that are found to be defective in factory materials or workmanship covered by the Limited Warranty shall constitute the owner's sole and exclusive remedy against Brunswick Marine in EMEA for any claims whatsoever of economic loss resulting from product failure.

In keeping with environmental policies and practices, Brunswick Marine in EMEA reserves the right to utilize reconditioned, refurbished, repaired or remanufactured products or parts in the warranty repair or replacement process. Such products and parts will be comparable in function and performance to an original product or part and warranted for the remainder of the original warranty period. In no event shall any repair or replacement under this Limited Warranty exceed the fair market value of the product as of the date of the owner's claim. Acceptance of any product returned or any refund provided by Brunswick Marine in EMEA shall not be deemed an admission that the product is defective. Products that are replaced become the property of Brunswick Marine in EMEA.

**OTHER LIMITATIONS:** Except as set forth herein or on any other written Limited Warranties by Brunswick Marine in EMEA, there are no other warranties, expressed or implied provided by Brunswick Marine in EMEA, on this Uttern. All other warranties, expressed or implied are expressly excluded. Brunswick Marine in EMEA further disclaims any liability for economic loss arising from claims of product failure, negligence, defective design, manufacturing defect, failure to warn and/or instruct, lack of seaworthiness, and any other theory of liability not expressly covered under the terms of this Limited Warranty.

Any implied warranty of merchantability or fitness for a particular purpose is disclaimed. To the extent the implied warranty cannot be disclaimed, it is limited to the shorter of one (1) year from the date of delivery to the first retail owner or the duration of the respective Limited Warranties stated herein. To the extent required by law and implied warranty of merchantability is limited for the duration of the respective Limited Warranties stated. To the extent allowed by law neither Brunswick Marine in EMEA, nor the selling dealer shall have any responsibility of the loss of use of the Uttern, loss of time, inconvenience, commercial loss or consequential damages.

Some countries, states or regions do not allow limitations on how long an implied warranty lasts, so the above limitations may not be applicable. Some countries, states or regions do not allow the exclusion or limitations of incidental or consequential damages, so the above limitations or exclusions may not be applicable. This warranty gives the owner specific legal rights, and the owner may also have other rights, which vary country to country, state to state, or region to region.

Retail customers in the European Economic area (EEA) may have legal rights under the applicable national legislation regarding the sale of consumer goods which are not affected by this Limited Warranty. The retail customer's legal rights under any applicable national legislation regarding the sale of consumer goods shall not be affected. Information on authorized EEA dealers and EEA Privacy be obtained at [www.uttern.com](http://www.uttern.com).

---

## Introduction

---

**STATUTE OF LIMITATIONS:** Any action for rescission or revocations against Brunswick Marine in EMEA shall be barred unless it is commenced within one (1) year from the date of accrual of such cause of action. This provision does not grant any consumer a right of rescission or revocation against Brunswick Marine in EMEA, where such does not otherwise exist under applicable law. Some country, state, or region may not allow the applicable statute of limitations for rescission or revocation to be reduced, so this provision may not apply to each retail owner.

**OWNER'S OBLIGATIONS:** Contact the selling Brunswick Marine in EMEA dealer to set up an appointment for warranty repairs. All warranty work or repairs must be referred to the selling dealer for authorization as a condition precedent to Limited Warranty coverage. Brunswick Marine in EMEA must receive written notice of any remaining warranty claims from the owner prior to the expiration of the owner's Limited Warranty, and the owner must notify Brunswick Marine in EMEA of any Uttern being repaired by an authorized Brunswick Marine in EMEA dealer which has been at the dealership for fifteen (15) days, or of any claimed defect which was not corrected after one (1) repair attempt.

**MODIFICATIONS & SEVERABILITY:** The terms and conditions contained herein, as well as those of any documents prepared in conjunction with the sale of this vessel may not be modified, altered, or waived by any action, inaction, or representations, whether oral or in writing, except upon the expressed, written authority of a management level employee of Brunswick Marine in EMEA. The invalidity or unenforceability of any one or more of the provisions herein shall not affect the validity and enforceability of the other provisions.

### **Africa and Middle East**

**WHAT IS COVERED:** Brunswick Marine in EMEA warrants its new products to be free of defects in material and workmanship during the period described below.

**DURATION OF COVERAGE:** This Limited Warranty provides coverage for one (1) years from the date the product is first sold to a recreational use retail purchaser, or the date on which the product is first put into service, whichever occurs first. Commercial users of these products receive warranty coverage of one (1) year from the date of first retail sale, or one (1) year from the date in which the product was first put into service, whichever occurs first.

Commercial use is defined as any work or employment related use of the product, or any use of the product which generates income, for any part of the warranty period, even if the product is occasionally used for such purposes.

The repair or replacement of parts, or the performance of service under this warranty, does not extend the life of this warranty beyond its original expiration date. Unexpired warranty coverage can be transferred from one recreational use customer to a subsequent recreational use customer upon proper registration of the product. Unexpired warranty coverage may be terminated for use or repossessed product; or product purchased at auction, from a salvage yard, or from an insurance company.

**CONDITIONS THAT MUST BE MET IN ORDER TO OBTAIN WARRANTY COVERAGE:** Warranty coverage is available to only to retail customers that purchase from a Dealer authorized by Brunswick Marine in EMEA to distribute the product in the country in which the sale occurred, and then only after the Brunswick Marine in EMEA specified predelivery inspection process is completed and documented. Warranty coverage becomes available upon proper registration of the product by the authorized dealer. Routine maintenance outlined in the Operation and Maintenance Manual must be timely performed in order to maintain warranty coverage. Brunswick Marine in EMEA reserves the right to make future warranty coverage contingent on proof of proper maintenance.

**WHAT BRUNSWICK MARINE IN EMEA WILL DO:** Brunswick Marine in EMEA's sole and exclusive obligation under this warranty is limited to, at our option, repairing a defective part, replacing such part or parts with new or Brunswick Marine in EMEA certified remanufactured parts, or refunding the purchase price of the Brunswick Marine in EMEA product. Brunswick Marine in EMEA reserves the right to improve or modify products from time to time without assuming an obligation to modify products previously manufactured.

**HOW TO OBTAIN WARRANTY COVERAGE:** The customer must provide Brunswick Marine in EMEA with a reasonable opportunity to repair, and reasonable access to the product for warranty service. Warranty claims shall be made by delivering the product for inspection to a Brunswick Marine in EMEA authorized dealer to service the product. If purchaser cannot deliver the product to such a dealer, written notice must be given to Brunswick Marine in EMEA. We will then arrange for the inspection and any covered repair. Purchaser in that case shall pay for all related transportation charges and/or travel time. If the service provided is not covered by this warranty, purchaser shall pay for all related labor and material, and any other expenses associated with that service. Purchaser shall not, unless requested by Brunswick Marine in EMEA, ship the product or parts of the product directly to Brunswick Marine in EMEA. Proof of registered ownership must be presented to the dealer at the time warranty service is requested in order to obtain coverage.

---

## Introduction

---

**WHAT IS NOT COVERED:** As expressly set out herein, all warranties provided by the manufacturers and distributors of components, equipment, and parts ("Component Manufacturer") on the boat are hereby assigned to the owner, to the extent permitted by the Component Manufacturer, as the owner's sole and exclusive remedy with respect to such items. Any assistance by Brunswick Marine in EMEA and/or its authorized dealers with regard to component warranties shall not constitute an adoption of the responsibilities of a component manufacturer with regard to its component warranties. This Limited Warranty does not apply to any Uttern which has been salvaged or declared a total loss or a constructive total loss for any reasons not covered in this Limited Warranty. This Limited Warranty also does not apply to the following items:

1. Engines, drivetrains, controls, propellers, batteries, other equipment or accessories that carry their own individual warranties, or equipment and accessories which are not installed by Uttern
2. Window damage or breakage
3. Rainwater leakage, including rainwater leakage through convertible tops
4. Damage or deterioration of cosmetic surface finishes, including cracking, crazing, discoloration, air voids, fading or oxidation of gel coat, wood finishers (varnishes, stains, and paints), fabrics, vinyls, plastics, trim tape, plated or painted metal, stainless steel finishes, anti-fouling bottom paint, or zinc anodes
5. Any Uttern which has been altered or modified from Brunswick Marine in EMEA factory specifications
6. Any Uttern initially sold at retail by a party other than an authorized Brunswick Marine in EMEA dealer
7. Any Uttern which has been used for racing or military purposes, or which has been overpowered according to Brunswick Marine in EMEA factory specifications for such Uttern
8. Any Uttern used for Commercial Purposes. Commercial Purposes, as used herein, means a vessel with more than 50% usage for business or revenue-producing purposes.
9. Any failure or defect caused by an accident, product abuse or misuse, failure of the owner to use, maintain, or store the Uttern as specified in Brunswick Marine in EMEA owner's manual(s), and any other failure to provide reasonable care and maintenance.
10. Any transportation, haul out, or other expenses incurred in returning the Uttern to the selling dealer or to the Brunswick Marine in EMEA factory for warranty service.
11. Any representation or implication relating to speed, range, fuel consumption or estimated performance characteristics.
12. Damage, shrinkage, or deterioration of carpet, upholstery, and exterior canvas tops, enclosures, and weather covers (including rainwater leakage)
13. Any failure or defect caused by an act of nature resulting in damage, cost, or expense
14. Any transportation
15. Any failure or defect arising from a previous repair made by a non-authorized service provider
16. Any item exceeding the expressed coverage limits specified in any Brunswick Marine in EMEA Limited Warranty
17. Any defect or repair requiring redesign of the Uttern, except pursuant to the recall provisions of the United States Federal Boat Safety Act of 1971, or the recall laws of any other foreign jurisdiction.

**SOLE REMEDY:** The remedy of repair or replacement of parts that are found to be defective in factory materials or workmanship covered by the Limited Warranty shall constitute the owner's sole and exclusive remedy against Brunswick Marine in EMEA for any claims whatsoever of economic loss resulting from product failure.

In keeping with environmental policies and practices, Brunswick Marine in EMEA reserves the right to utilize reconditioned, refurbished, repaired or remanufactured products or parts in the warranty repair or replacement process. Such products and parts will be comparable in function and performance to an original product or part and warranted for the remainder of the original warranty period. In no event shall any repair or replacement under this Limited Warranty exceed the fair market value of the product as of the date of the owner's claim. Acceptance of any product returned or any refund provided by Brunswick Marine in EMEA shall not be deemed an admission that the product is defective. Products that are replaced become the property of Brunswick Marine in EMEA.

**OTHER LIMITATIONS:** Except as set forth herein or on any other written Limited Warranties by Brunswick Marine in EMEA, there are no other warranties, expressed or implied provided by Brunswick Marine in EMEA, on this Uttern. All other warranties, expressed or implied are expressly excluded. Brunswick Marine in EMEA further disclaims any liability for economic loss arising from claims of product failure, negligence, defective design, manufacturing defect, failure to warn and/or instruct, lack of seaworthiness, and any other theory of liability not expressly covered under the terms of this Limited Warranty.

Any implied warranty of merchantability or fitness for a particular purpose is disclaimed. To the extent the implied warranty cannot be disclaimed, it is limited to the shorter of one (1) year from the date of delivery to the first retail owner or the duration of the respective Limited Warranties stated herein. To the extent required by law and implied warranty of merchantability is limited for the duration of the respective Limited Warranties stated. To the extent allowed by law neither Brunswick Marine in EMEA, nor the selling dealer shall have any responsibility of the loss of use of the Uttern, loss of time, inconvenience, commercial loss or consequential damages.

---

## Introduction

---

Some countries, states or regions do not allow limitations on how long an implied warranty lasts, so the above limitations may not be applicable. Some countries, states or regions do not allow the exclusion or limitations of incidental or consequential damages, so the above limitations or exclusions may not be applicable. This warranty gives the owner specific legal rights, and the owner may also have other rights, which vary country to country, state to state, or region to region.

Retail customers in the European Economic area (EEA) may have legal rights under the applicable national legislation regarding the sale of consumer goods which are not affected by this Limited Warranty. The retail customer's legal rights under any applicable national legislation regarding the sale of consumer goods shall not be affected. Information on authorized EEA dealers and EEA Privacy be obtained at [www.uttern.com](http://www.uttern.com).

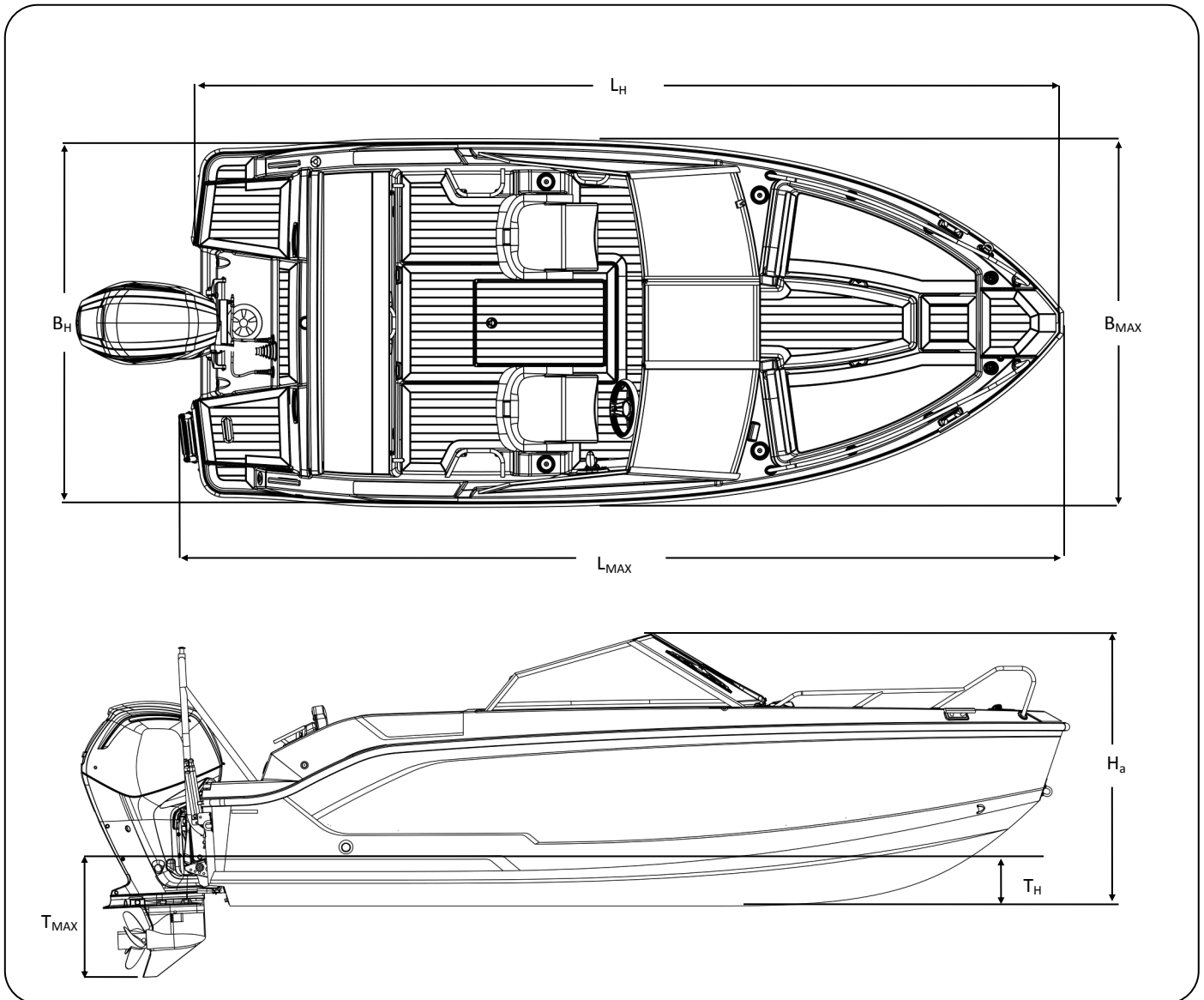
**STATUTE OF LIMITATIONS:** Any action for rescission or revocations against Brunswick Marine in EMEA shall be barred unless it is commenced within one (1) year from the date of accrual of such cause of action. This provision does not grant any consumer a right of rescission or revocation against Brunswick Marine in EMEA, where such does not otherwise exist under applicable law. Some country, state, or region may not allow the applicable statute of limitations for rescission or revocation to be reduced, so this provision may not apply to each retail owner.

**OWNER'S OBLIGATIONS:** Contact the selling Brunswick Marine in EMEA dealer to set up an appointment for warranty repairs. All warranty work or repairs must be referred to the selling dealer for authorization as a condition precedent to Limited Warranty coverage. Brunswick Marine in EMEA must receive written notice of any remaining warranty claims from the owner prior to the expiration of the owner's Limited Warranty, and the owner must notify Brunswick Marine in EMEA of any Uttern being repaired by an authorized Brunswick Marine in EMEA dealer which has been at the dealership for fifteen (15) days, or of any claimed defect which was not corrected after one (1) repair attempt.

**MODIFICATIONS & SEVERABILITY:** The terms and conditions contained herein, as well as those of any documents prepared in conjunction with the sale of this vessel may not be modified, altered, or waived by any action, inaction, or representations, whether oral or in writing, except upon the expressed, written authority of a management level employee of Brunswick Marine in EMEA. The invalidity or unenforceability of any one or more of the provisions herein shall not affect the validity and enforceability of the other provisions.

# Uttern T53— General Information

## 1. Basic Boat Dimensions & Specifications



Manufacturer: Brunswick Marine in EMEA

Model: Uttern T53

Design Category: C

Length of Hull ( $L_H$ ): 5.11m

Length Overall ( $L_{MAX}$ ): 5.23m

Length Overall ( $L_{MAX\ OPTION}$ ): 5.26m

Beam of Hull ( $B_H$ ): 2.13m

Beam Max ( $B_{MAX}$ ): 2.17m

Draft of Hull ( $T_H$ ): 0.36m

Draft Max ( $T_{MAX}$ ): 0.77m

Overall Height ( $H_a$ ): 1.61m

Light Craft Mass ( $m_{LCC}$ ): 1041kg

Maximum Load ( $m_{MTL}$ ): 552kg

Fully Loaded Mass ( $m_{LDM}$ ): 1593kg

Trailerable Mass ( $m_T$ ): 1119kg

Fuel Tank Capacity: 110L

## Uttern T53 — General Information

### 2. Vessel Stability

The following maximum load has been used for assessing the stability and buoyancy comprising

- Manufacturer's maximum recommended load per ISO 14946 552kg
- Fuel, fresh water, other fluids to maximum capacity of fixed tanks 78kg

This assessment has been made assuming that

- The boat in the empty craft condition has a mass of 822kg
- The boat in the light craft condition has a mass of 1041kg
- The maximum recommended engine outboard mass is 165kg
- All standard equipment is aboard.

Your boat was manufactured to specific stability and flotation standards for the capacity shown on the certification plate. Maximum recommended load included the weight of all persons aboard, all provisions and personal effects, cargo (if any) and all consumable liquids (water, fuel, etc). Any increase from the recommended load capacities will put your boat in jeopardy of capsizing, swamping and/or sinking. In addition, any changes to the masses aboard may significantly affect the stability, trim, and performance of the craft. Stability can be considerably affected by loose fluids or weight within the vessel. Keep the bilge area as dry as possible, and in rough weather or at planing speeds, keep all openings, hatches, lockers, doorways, and windows closed to minimize flooding. Breaking waves are a serious stability hazard. Finally, stability can be compromised when towing or lifting heavy weights using a davit or boom.

### 3. Load Capacity

The capacity plate, located near the helm, indicates the maximum weight and number of persons your boat can handle under calm sea conditions. Do not exceed the load capacities stated. A full explanation of this information can be found in the relevant sections of this manual.

The information present on the certification plate does not relieve the operator of responsibility. Use common sense and sound judgment when placing equipment and/or passengers in your boat.

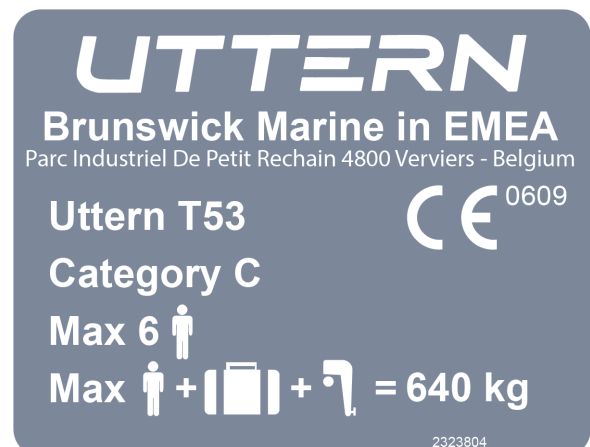
#### ⚠ WARNING

Do not exceed the maximum recommended number of persons. Regardless of the number of persons on board, the total weight of persons and equipment must never exceed the maximum recommended load. Always use the seats/seating spaces provided.

#### ⚠ WARNING

When loading the craft, never exceed the maximum recommended load. Always load the craft carefully and distribute loads appropriately to maintain design trim (approximately level), and secure loose equipment when underway. Avoid placing heavy weights high up.

#### Uttern T53 Capacity Plate



## Uttern T53— General Information

### 4. Passenger Locations

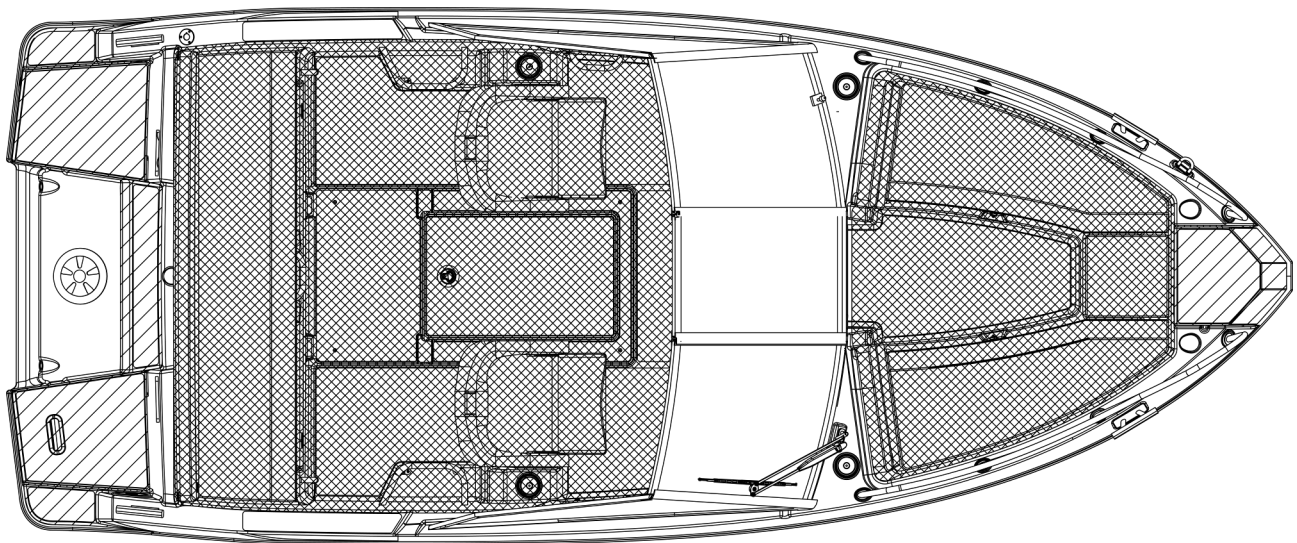
#### **⚠ DANGER**

Be aware of your footing while the boat is underway. Slipping or falling could result in serious injury or death, especially if the boat is in motion or in rough seas. Keep the accommodation clean, so if movement is necessary, it will be free of obstruction.

#### **⚠ WARNING**

Gelcoat surfaces are slippery when wet. Use extreme caution when walking on wet surfaces.  
Never occupy the working decks while the boat is underway.

When people are on the working deck area for anchoring, mooring, or in emergencies, they must be holding on and be positioned as to prevent falling overboard.



Area to be used during normal operation



Area to be used during anchoring, mooring and emergency operation

### 5. Design Categories

There are four design categories of boats based upon their ability to withstand wind and water conditions:

Category A – Designed for winds that may exceed wind force 8 (Beaufort scale – 40 knots) and a significant wave height of 4m and above.

Category B -- Designed for winds that include up to wind force 8 (Beaufort scale – 40 knots) and significant wave height up to and including 4m.

Category C – Designed for winds that include up to a wind force 6 (Beaufort scale – 27 knots) and a significant wave height up to and including 2m.

Category D – Designed for winds that include up to a wind force 4 (Beaufort scale – 16 knots) and a significant wave height up to and including 0.3m, with occasional waves of 0.5m maximum height.

Refer to your product capacity plate for the design category of your boat.

#### **⚠ WARNING**

Do not attempt to boat in severe weather conditions. Death or serious injury can occur. Get to shore before the weather turns bad.

# Uttern T53 — General Information

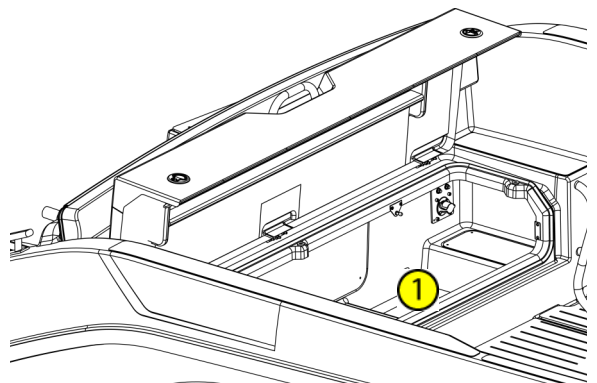
## 6. Safety Label Locations

**NOTICE**

RECOMMENDED BATTERY LOCATION - INSTALLATION REQUIREMENTS  
REF: EN ISO 10133 - EXTRA LOW VOLTAGE D.C. INSTALLATIONS

- BATTERY SHALL BE INSTALLED IN A MANNER TO RESTRICT THEIR MOVEMENT HORIZONTALLY AND VERTICALLY. THE BATTERY SHALL NOT MOVE MORE THAN 10MM IN ANY DIRECTION WHEN EXPOSED TO A FORCE CORRESPONDING TO TWICE THE BATTERY WEIGHT.
- BATTERY SHALL BE CAPABLE OF INCLINATIONS UP TO 30 DEGREES WITHOUT LEAKAGE OF ELECTROLYTE. PROVISIONS SHALL BE MADE TO CONTAIN SPILLAGE (I.E. BATTERY BOX).
- THE BATTERY POSITIVE TERMINAL MUST BE PROTECTED FROM SHORTING WITH A NON-CONDUCTIVE BOOT OR BY PLACING IT IN A NON CONDUCTIVE COVERED BOX.
- BATTERY SHALL NOT BE INSTALLED ABOVE OR BELOW A FUEL TANK OR FUEL FILTER.
- ANY METALLIC COMPONENT OF THE FUEL SYSTEM WITHIN 300MM ABOVE THE BATTERY TOP, AS INSTALLED, SHALL BE ELECTRICALLY INSULATED.

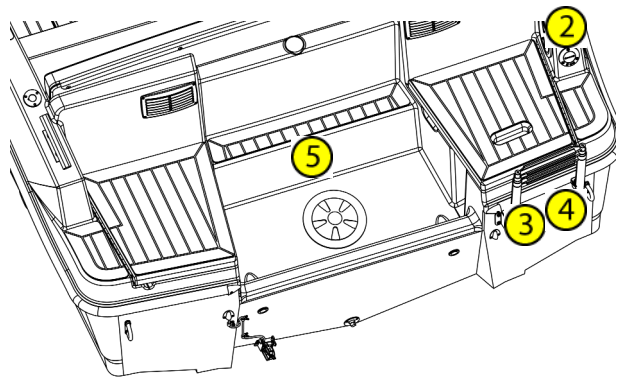
2080223



**DANGER**

NO SMOKING. PETROL VAPORS MAY EXPLODE. INSPECT FUEL SYSTEM AT LEAST ANNUALLY.

2016953



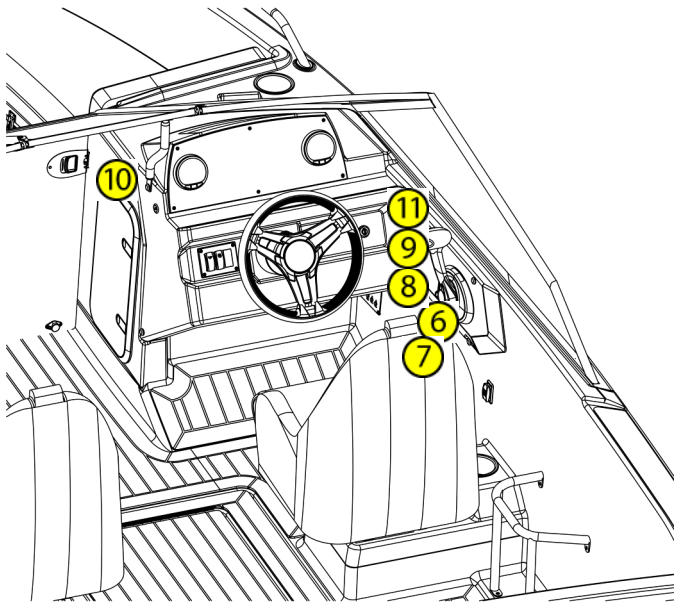
**WARNING**

ROTATING PROPELLER MAY CAUSE SERIOUS INJURY OR DEATH. DO NOT BOARD OR USE LADDER IF ENGINE IS RUNNING.

2016954

**DANGER**

Carbon monoxide (CO) can cause brain damage or death.  
Engine and generator exhaust contains odorless and colorless carbon monoxide gas.  
Carbon monoxide will be around the back of the boat when engines or generators are running.  
Move to fresh air if you feel nausea, headache, dizziness, or drowsiness.



**WARNING**

SKI PYLON MUST BE SECURED WHEN IN USE. TOW ROPE MAY BACKLASH INTO COCKPIT. DO NOT USE TO TOW ITEMS SUCH AS TUBES OR OTHER TOWABLES. MAX TOW LOAD CAPACITY IS 300 KG.

2193470

**UTTERN**  
Brunswick Marine in EMEA  
Parc Industriel De Petit Rechain 4800 Verviers - Belgium

Uttern T53  
Category C  
Max 6  
Max = 640 kg

2323804

84.6 kW MAX

2038773

**WARNING**

ROTATING PROPELLER MAY CAUSE SERIOUS INJURY OR DEATH. SHUT OFF ENGINE WHEN NEAR SWIMMERS IN THE WATER.

2016955



**WARNING**

ATTACH SHUT DOWN SWITCH LAYNARD TO QUALIFIED OPERATOR WHILE ENGINE IS IN OPERATION. UNCONTROLLED BOAT MAY CAUSE INJURY OR DEATH. READ OWNERS MANUAL BEFORE USE.

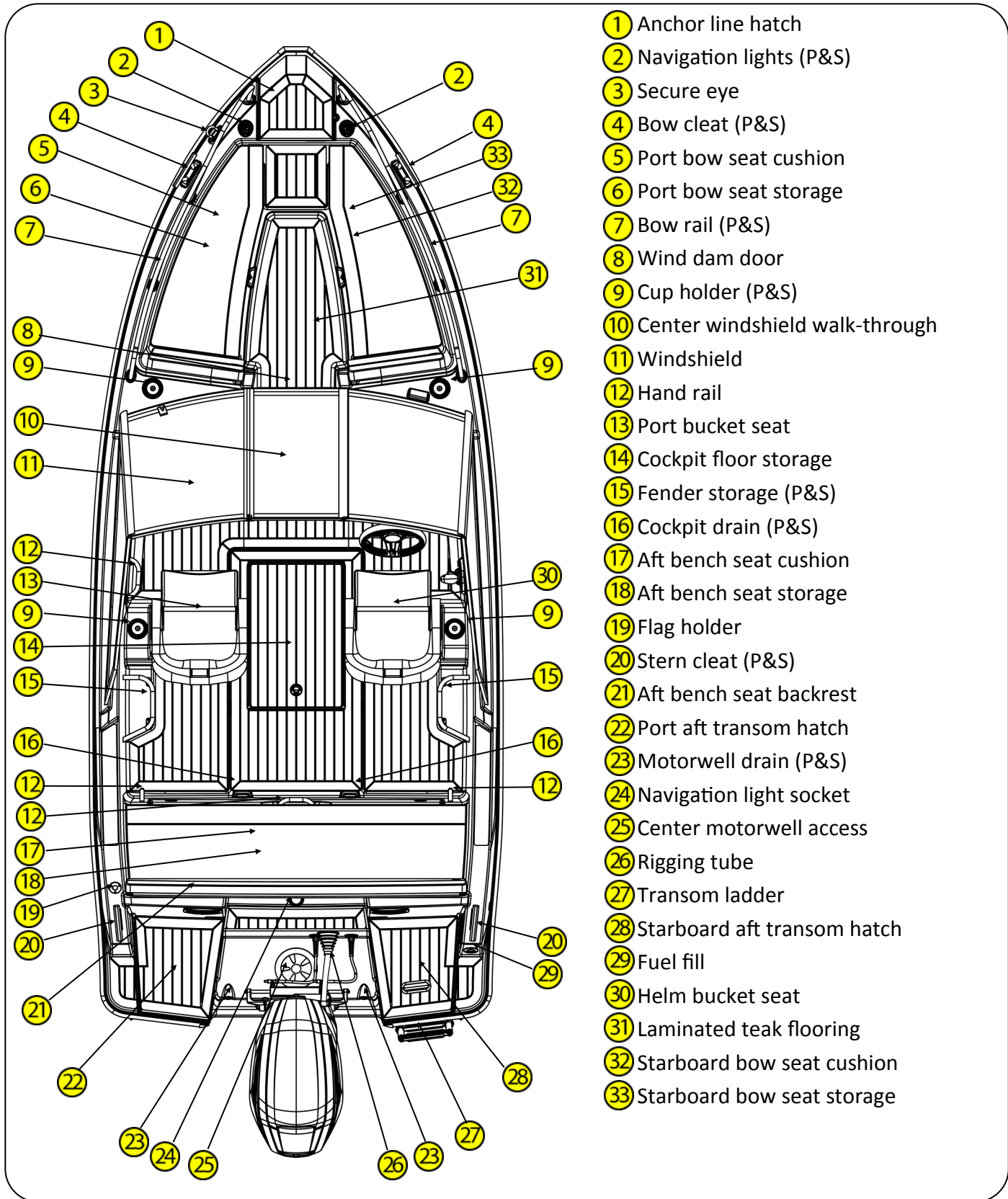
2016954

**WARNING**

Carbon monoxide (CO) can cause brain damage or death.  
Engine and generator exhaust contains odorless and colorless carbon monoxide gas.  
Signs of carbon monoxide poisoning include nausea, headache, dizziness, drowsiness, and lack of consciousness.  
Get fresh air if anyone shows signs of carbon monoxide poisoning.  
See Owner's Manual for information regarding carbon monoxide poisoning.

# Uttern T53— General Information

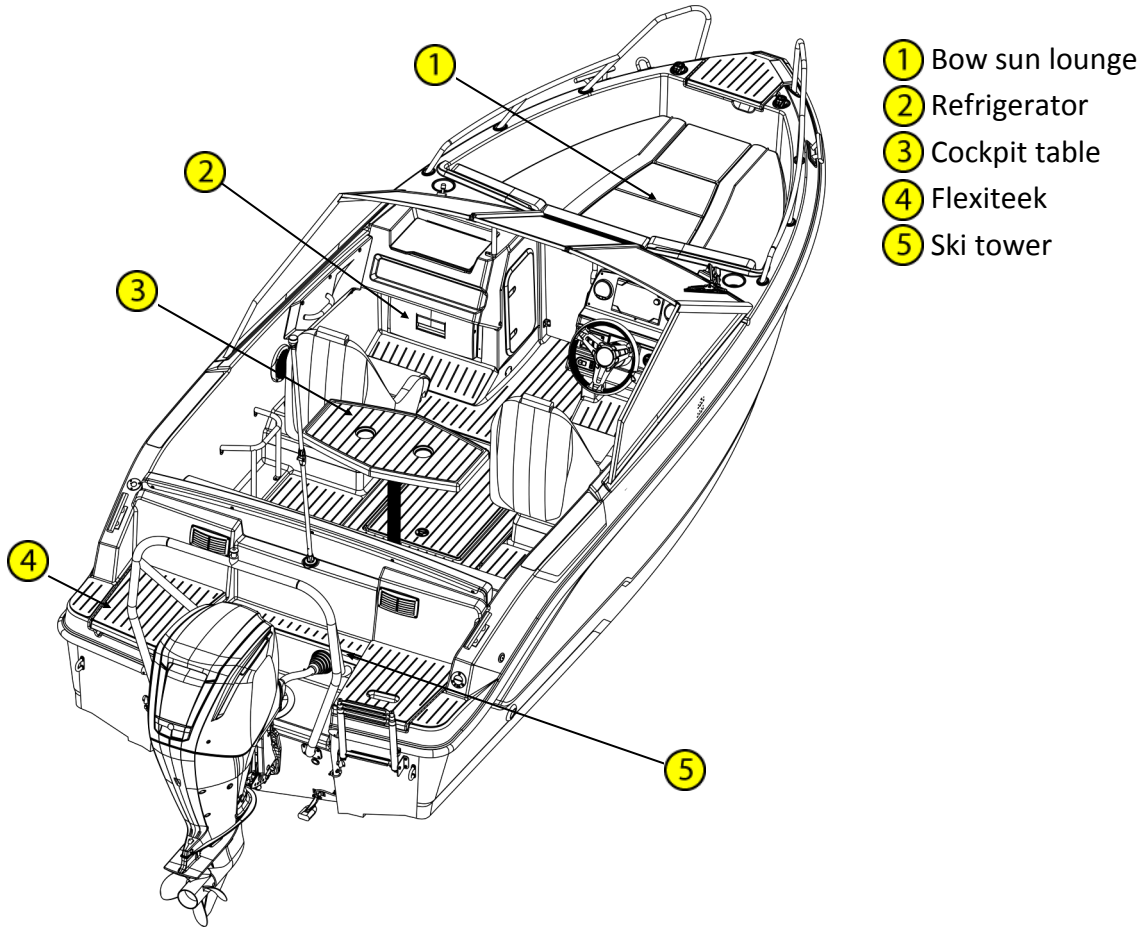
## 7. Deck Layout (Standard Boat)



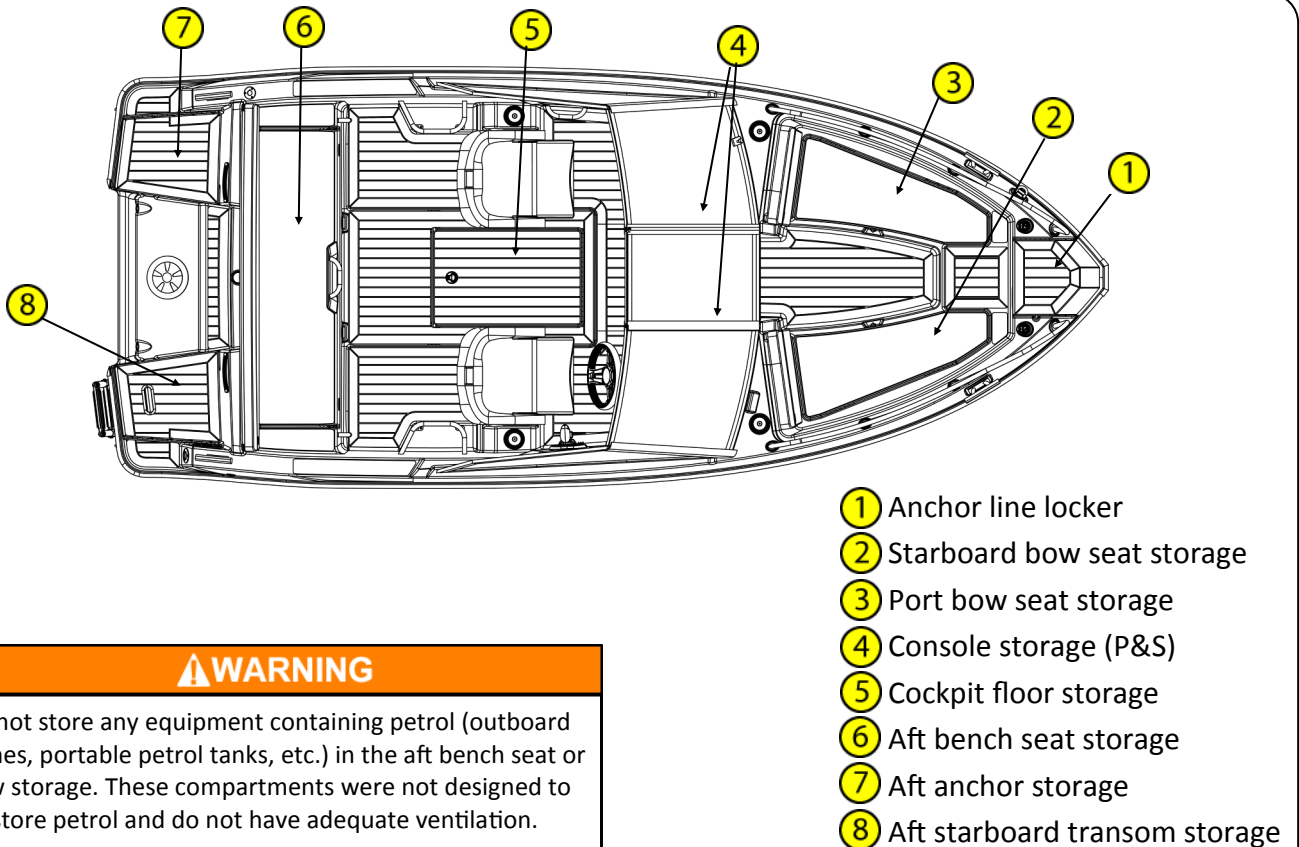
- ① Anchor line hatch
- ② Navigation lights (P&S)
- ③ Secure eye
- ④ Bow cleat (P&S)
- ⑤ Port bow seat cushion
- ⑥ Port bow seat storage
- ⑦ Bow rail (P&S)
- ⑧ Wind dam door
- ⑨ Cup holder (P&S)
- ⑩ Center windshield walk-through
- ⑪ Windshield
- ⑫ Hand rail
- ⑬ Port bucket seat
- ⑭ Cockpit floor storage
- ⑮ Fender storage (P&S)
- ⑯ Cockpit drain (P&S)
- ⑰ Aft bench seat cushion
- ⑱ Aft bench seat storage
- ⑲ Flag holder
- ⑳ Stern cleat (P&S)
- ㉑ Aft bench seat backrest
- ㉒ Port aft transom hatch
- ㉓ Motorwell drain (P&S)
- ㉔ Navigation light socket
- ㉕ Center motorwell access
- ㉖ Rigging tube
- ㉗ Transom ladder
- ㉘ Starboard aft transom hatch
- ㉙ Fuel fill
- ㉚ Helm bucket seat
- ㉛ Laminated teak flooring
- ㉜ Starboard bow seat cushion
- ㉝ Starboard bow seat storage

# Uttern T53 — General Information

## 8. Deck Layout (Optional Equipment)



## 9. Cockpit Storage

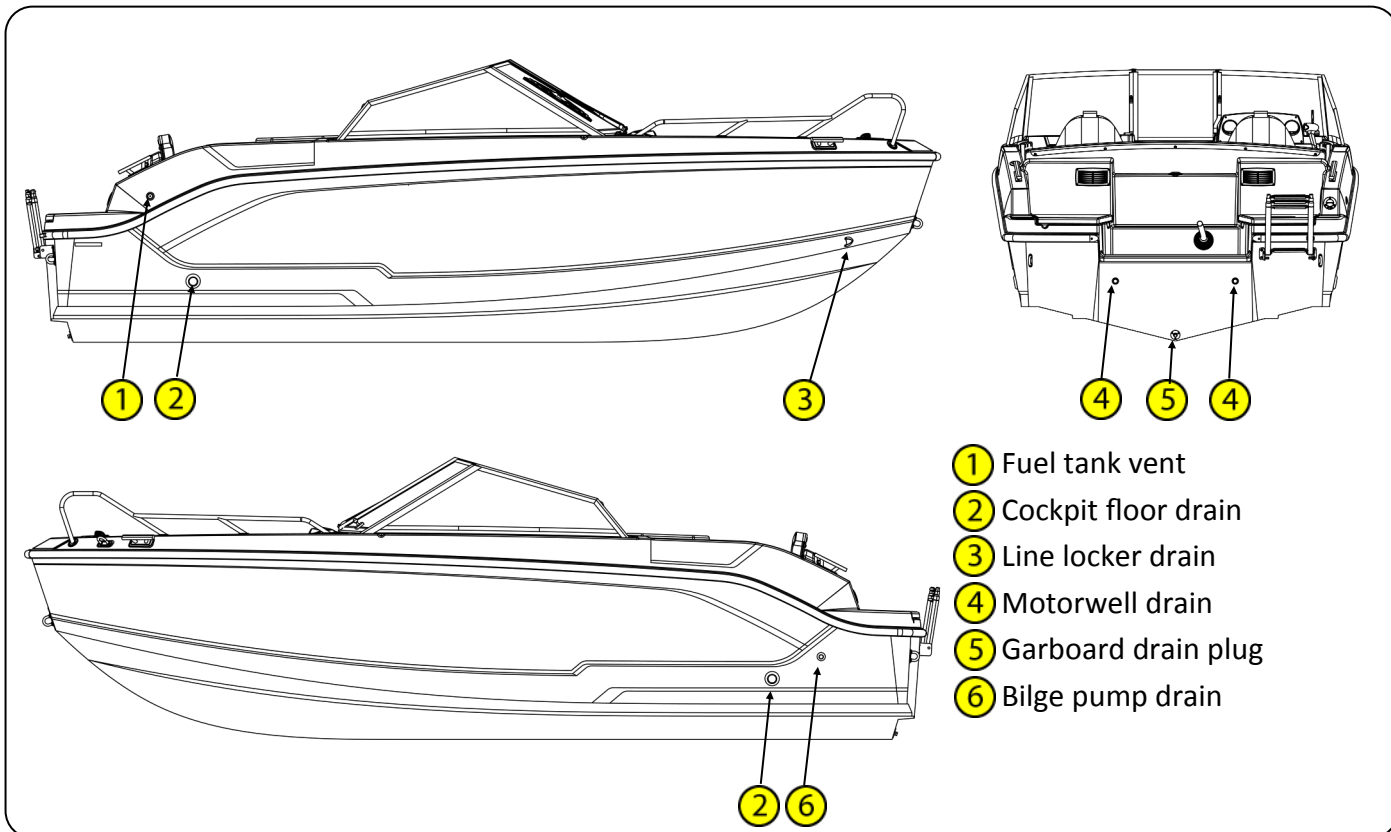


### **⚠ WARNING**

Do not store any equipment containing petrol (outboard engines, portable petrol tanks, etc.) in the aft bench seat or bow storage. These compartments were not designed to store petrol and do not have adequate ventilation.

# Uttern T53— General Information

## 10. Thru Hull Locations



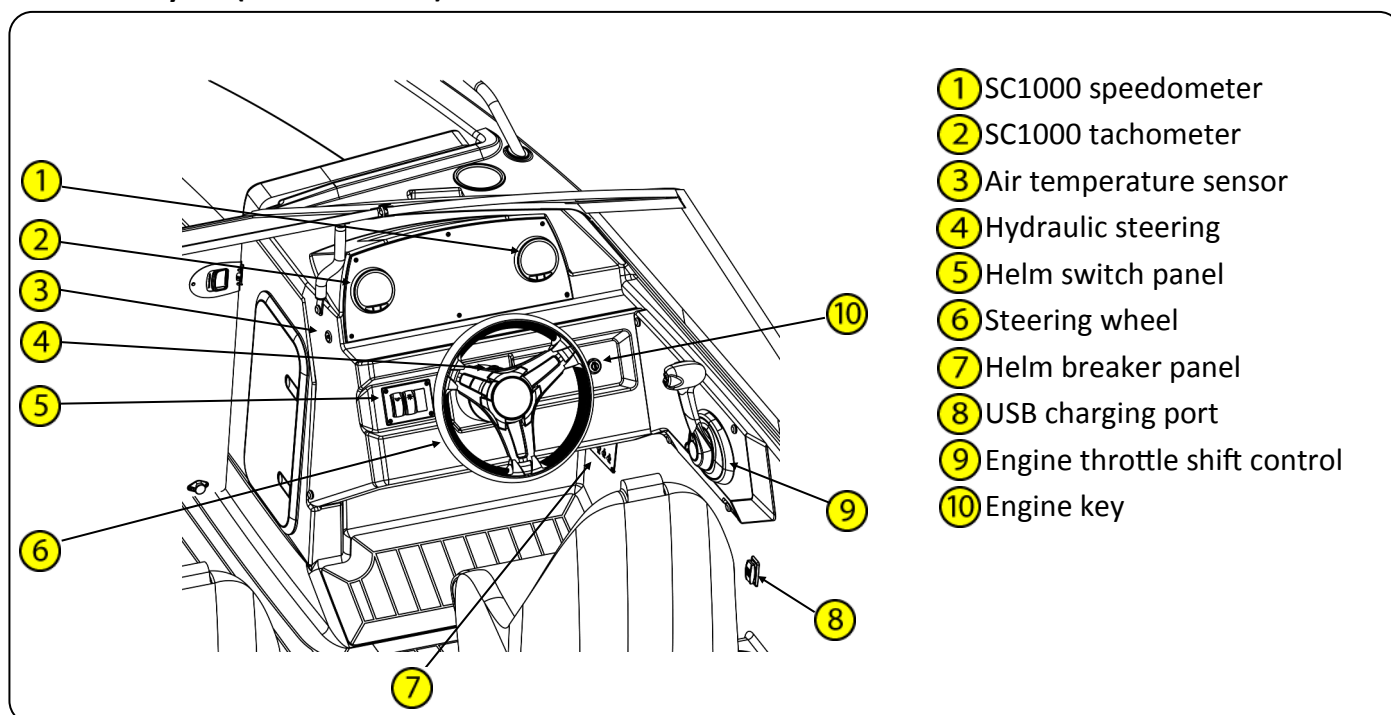
### NOTICE

The deck drains provide self-bailing capabilities while the boat is static in the water and no passengers on board. This prevents accumulation of water in the cockpit.

### NOTICE

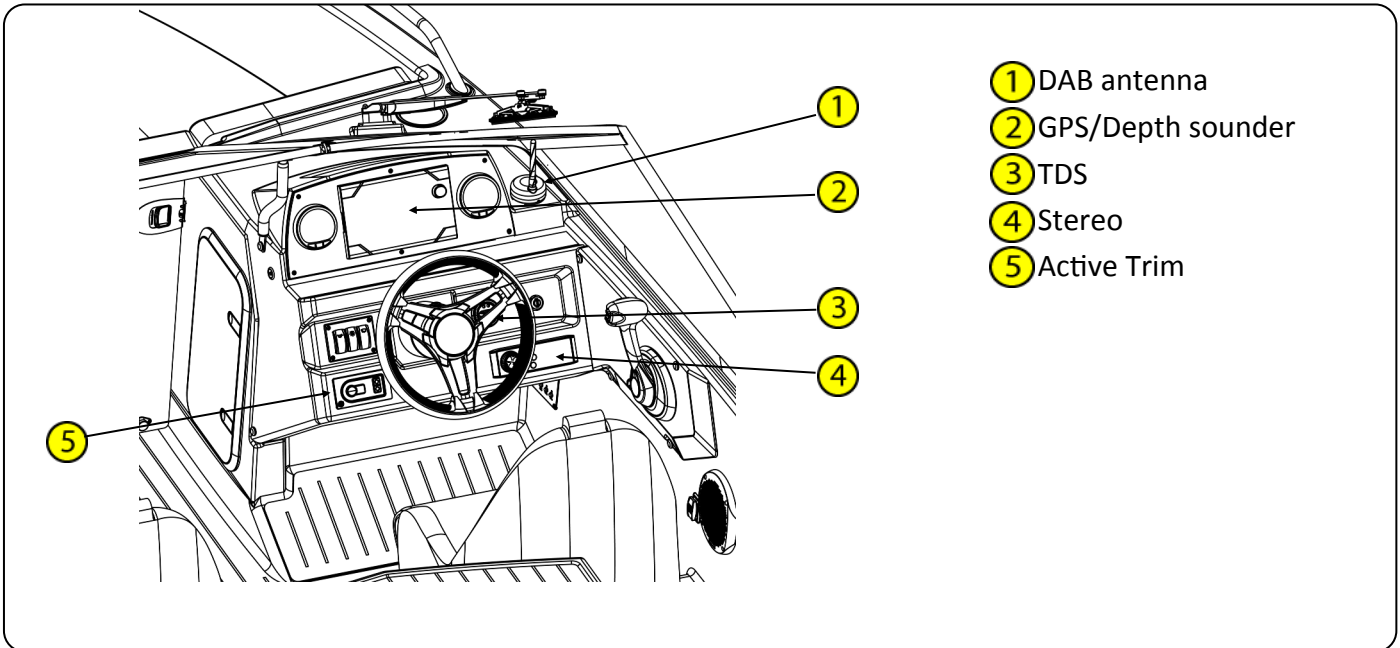
Depending on the type of boat, you may have underwater fittings that need drain plugs. Garboard drain plugs and fishbox drain plugs need to be in place before the boat goes in to the water. Any fitting that will be underwater needs to be plugged or the seacock needs to be closed.

## 11. Dash Layout (Standard Boat)



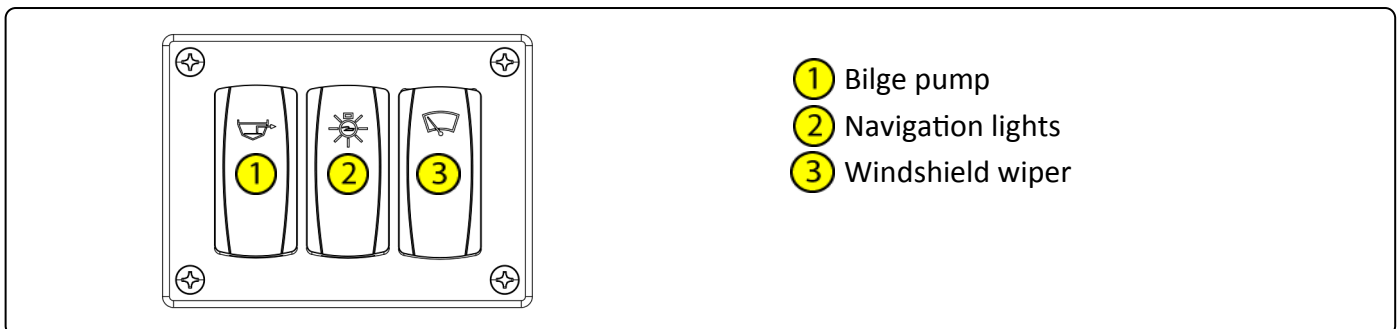
## Uttern T53 — General Information

### Dash Layout (Optional Equipment)



Please note that operator vision from the helm may be obstructed by high trim angles of the craft, along with other factors such as outboard engine trim angles, hull trim plane angles, loading and load distribution, speed & acceleration, transition from displacement to planing mode, sea conditions, rain and spray, darkness and fog, interior lights, position of tops and curtains, and persons or movable gear in the operator's field of vision.

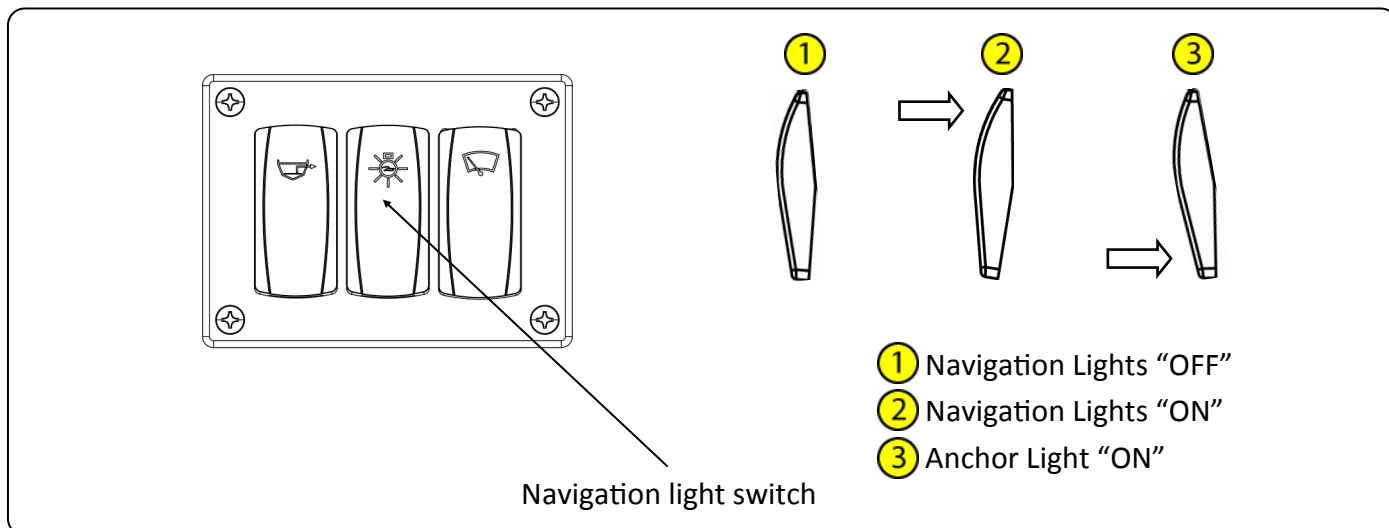
### Dash Switch Panel



## 12. Navigation Lights

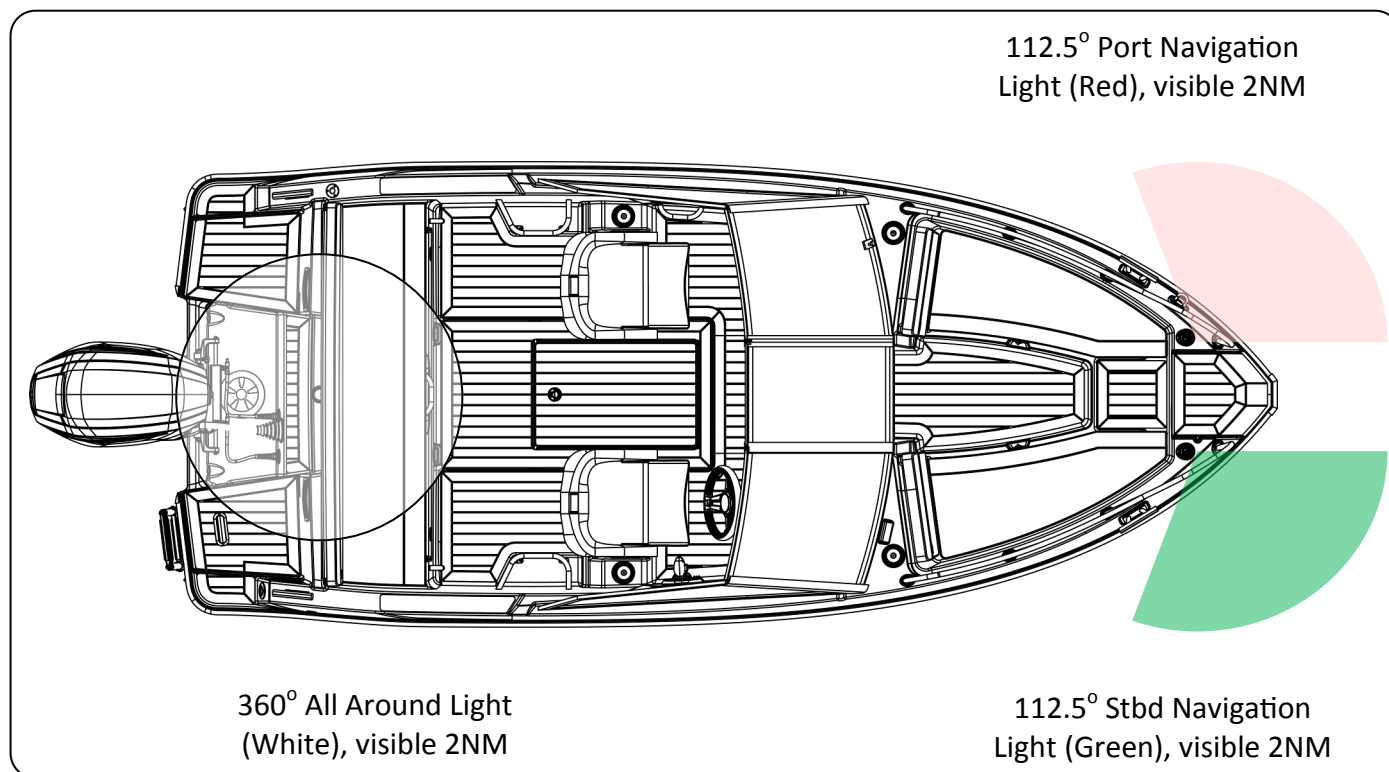
Your boat comes equipped with navigation lighting for use at night or in low visibility conditions. Prior to running at night, make sure that the all around light located on the seat back is installed in the upright position. A three position switch, located at the helm switch panel, controls the navigation lights. To turn on the Navigation Lights, push the upper part of the switch forward. This illuminates on the port (red), starboard (green) and all around light (white) showing other vessels that you are underway. To turn on the Anchor Light, push the lower part of the switch down. This illuminates the all around light (white), letting other boaters know that you are anchored at a given location.

## Uttern T53— General Information



### NOTICE

The International Regulations for Preventing Collisions at Sea (COLREG) and the rules of the road require that a proper lookout be maintained at all times and observance of right of way be respected. Always be certain to have sufficient distance to stop or maneuver if required to avoid collisions.



---

## Uttern T53 — General Information

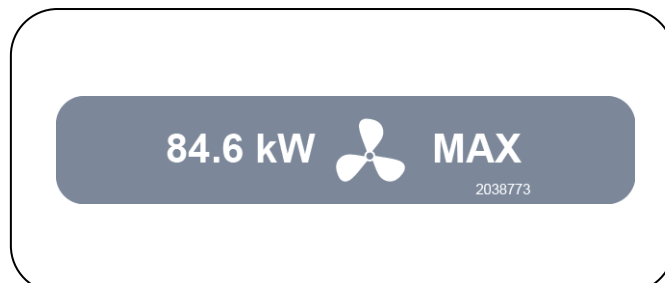
---

### 13. Engine

Your boat is propelled by a single Mercury outboard engine. The maximum propulsion power rating for the craft is 84.6 kW. Do not operate this craft with an engine power rating larger than that posted on the power capacity label in the craft. The maximum power rating label is located at the helm, under the Capacity plate.

#### **WARNING**

Do not operate this craft with an engine of rated power greater than that posted on the capacity label. Do not operate at maximum speed while in congested waterways, or in weather or sea conditions of reduced visibility, high winds or large waves. Reduce speed and wake as a courtesy to others. Observe & obey speed limits and no wake zones.



Uttern recommends that you fully comply with the manual provided by the engine manufacturer. Follow the recommended maintenance and warranty schedule in your Engine Operator's Manual. Refer to the Engine Owner's Manual for operating instructions and warranty information. The engines are warranted directly by Mercury, not by Uttern.

### 14. Trailering

Uttern does not offer a trailer for this boat, however, if you plan on purchasing one from another vendor, please consider the following:

- The trailer should have a center roller and keel guards which will help provide good support for the keel.
- Trailers with bunks provide a more even weight distribution.
- The mass of your boat in trailering condition is 1119kg. This includes the weight of a fully optioned boat along with full liquid loads. This does not include gear weight usually associated with operating the vessel.

### 15. Strong Points

#### **Cleats**

Your boat comes equipped with four cleats, two located on the bow and two located at the stern. The cleats are used to secure the boat to the dock while loading, unloading, or mooring.

#### **Bow Eye / Stern Eyes**

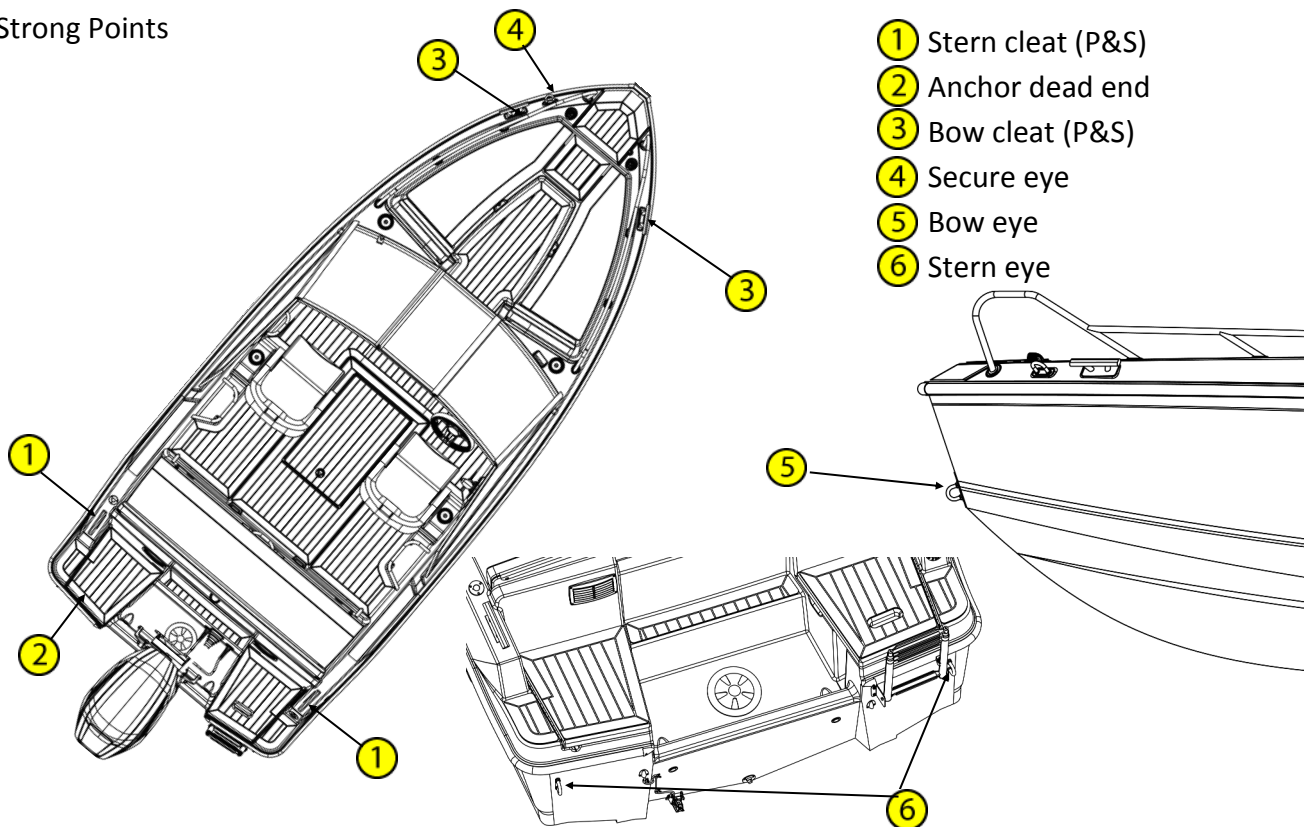
Your boat includes a bow eye, which is used to haul and hold your boat onto a trailer. In addition, there are two stern eyes, located on the transom, which are used as tie down points during trailering the boat. The bow and stern eyes may be used for short term lifting of the boat only.

#### **Towing**

Uttern does not recommend towing other boats, or being towed by other boats, unless it is absolutely necessary. In the event that it becomes necessary for you to have your boat towed, a professional company experienced in this type of operation is better equipped to handle this situation.

## Uttern T53— General Information

### Strong Points



### NOTICE

It is the owner's/operators responsibility to ensure that mooring lines, towing lines, anchor chains, anchor lines and anchors are adequate for the vessel's intended use. Owners should also consider what action will be necessary when securing a tow line on board.

### WARNING

Towing or being towed can lead to fatigue of the boat's hardware and lines. Failure of any part can seriously injury people or damage the boat. Do not stand directly in line with the tow line. If the line were to break, it would "snap back" causing injury or damage to everything in its path.

### DANGER

Use only the lifting points specified. Using the cleats for lifting is dangerous and could cause serious injury or death.

### CAUTION

Always tow or be towed at a slow speed. Never exceed the hull speed of a displacement craft when being towed.

# Uttern T53 — System & Component Overview and Operation

## 1. Fuel System

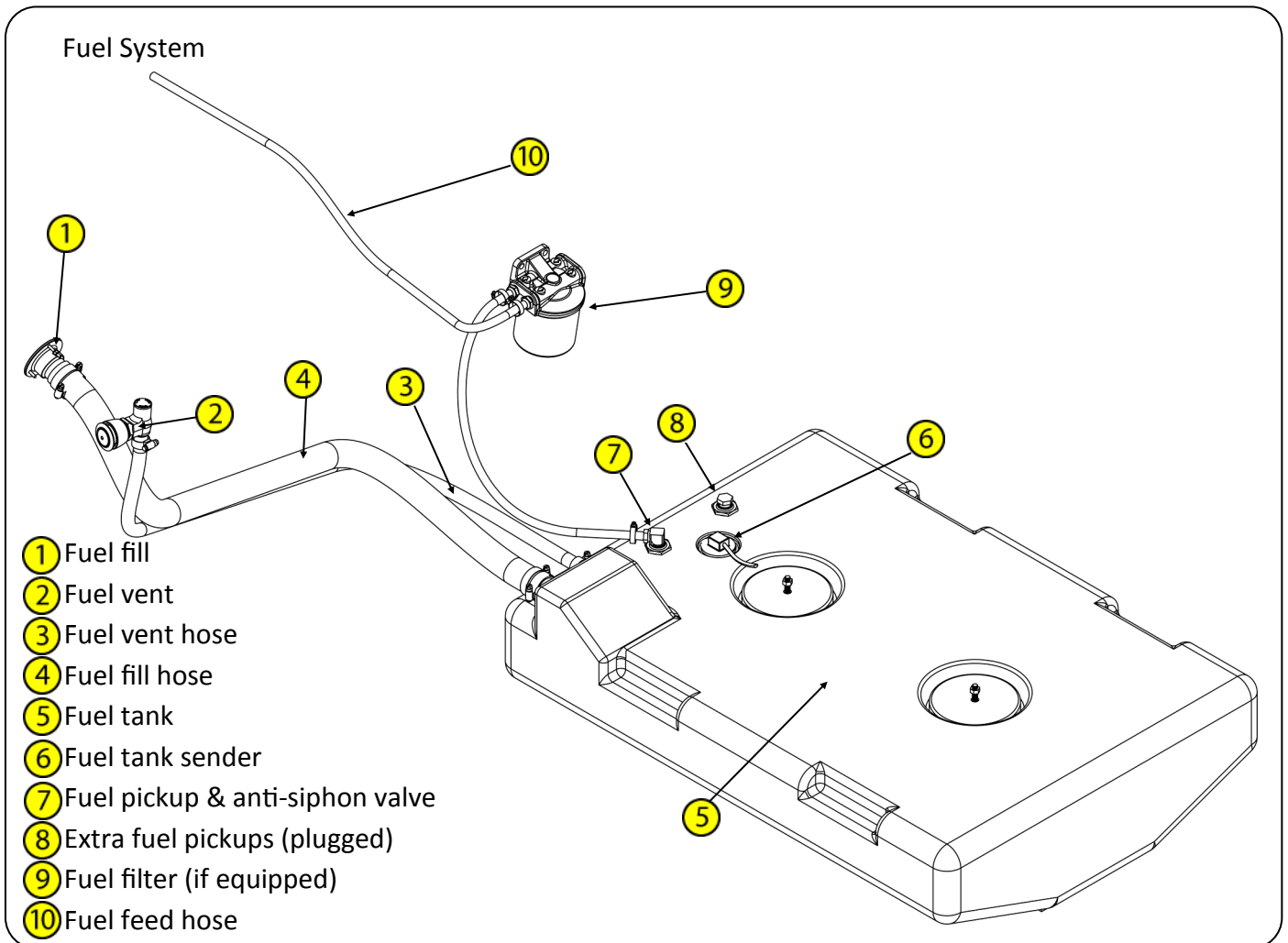
Your boat's petrol fuel system consists of a fuel tank, a fuel tank fill and vent fitting, an anti-siphon valve, a sending unit, a remote fuel filter, and an engine fuel supply line. In addition, there is an extra fuel port for an optional pickup, if needed.

### NOTICE

GASOLINE RECOMMENDATIONS  
Minimum octane rating is 87AKI

### CAUTION

The use of improper gasoline or additives can damage your fuel system. Damages caused by improper gasoline or additives will not be covered under warranty.



### Fuel Tank

The T53 is equipped with a crosslink polyethylene fuel tank with a capacity of 110 liters. As a precaution, all of the capacity may not be useable due to trim and loading conditions, so consider keeping at a minimum 25% reserve fuel in the tank.

Fuel tanks with levels less than 25% capacity can cause engine stalling problems due to fuel starvation or by allowing sediment and dirt to enter the fuel supply lines. Keep the tank full and monitor the fuel level often to prevent this from happening.

### Fuel Distribution

Fuel is delivered from the tank to the engine through the anti-siphon valve and the fuel feed line. The anti-siphon valve is a safety feature designed to prevent fuel from siphoning out of the tank if the fuel

---

## Uttern T53 — System & Component Overview and Operation

---

feed line was ever cut or broken below the level of the fuel in the tank. If the line ever broke, some fuel would leak out from the line, however, the anti-siphon valve prevents the entire contents of the tank to siphon into the boat.

### **NEVER REMOVE OR MODIFY THE ANTI-SIPHON VALVE FROM THE FUEL TANK.**

#### **Ethanol—Blended Fuels**

Ethanol is an oxygenated hydrocarbon compound that has a high octane rating and therefore is useful in increasing the octane level of unleaded gasoline. The fuel system components of your Mercury engine(s) have been tested to perform with the maximum level of ethanol blended gasoline (10% ethanol), currently allowed by the EPA in the United States.

Special precautions should be considered with the use of fuel containing ethanol in your system. Fuels with ethanol can attack some fuel-system components, such as tanks and lines, if they are not made from acceptable ethanol-compatible materials. This can lead to operational problems or safety issues such as clogged filters, leaks, or engine damage.

Your boat was manufactured, and shipped from the factory with ethanol compatible materials. Before introducing petrol with ethanol into your fuel tank, ask your dealer if any components have been added or replaced that are not recommended by Uttern, Mercury or may not be ethanol-compatible.

#### **Filling The Tank**

It is best to maintain a full tank of fuel when the engine is not in use. This will reduce the air flow in and out of the tank due to changes in temperature as well as limiting exposure of ethanol in the fuel to humidity and condensation.

When filling the tank, do not attempt to top off the tank. When the nozzle shuts off, the tank is full, and continuing to fill past the fuel fill shutoff will cause the system to spit fuel back.

#### **⚠ DANGER**

Petrol vapors can explode. Never smoke while handling or filling up the petrol tank. Leaking fuel is a fire and explosion hazard. Inspect the fuel system annually to make sure that there are no leaks and corrosion in the system.

#### **⚠ WARNING**

Do not store any equipment containing petrol (outboard engines, portable petrol tanks, etc.) in any cockpit storage areas. These compartments were not designed to store petrol and do not have adequate ventilation.

#### **Phase Separation**

Humidity and condensation create water in your fuel tank which can adversely effect the ethanol blended fuel. A condition called phase separation can occur if water is drawn into the fuel beyond the saturation point. The presence for water in the fuel beyond the saturation level will cause most of the ethanol in the fuel to separate from the bulk fuel and drop to the bottom of the tank, significantly reducing the level of ethanol in the fuel mixture in the upper level (phase). If the lower level (phase), consisting of water and ethanol, is deep enough to reach the fuel inlet, it could be pumped directly into the engine(s) and cause significant problems. Engine problems can also result from the reduced ethanol/fuel mixture left in the upper phase of the tank.

#### **Additives**

There is no practical additive known that can prevent or correct phase separation. The only solution is to keep water from accumulating in the tank. If phase separation does occur, your only remedy is to drain the fuel, clean and dry the tank completely and refill with a fresh, clean tank of fuel.

---

## Uttern T53 — System & Component Overview and Operation

---

### Fuel Filters

Mercury already provides the appropriate level of filtration to protect the engine from debris. The addition of another in-line filter to the system will create a possible flow restriction that can starve the engine of fuel. As a precaution, it is advisable to carry extra on-engine filters in case filter plugging from debris becomes a problem during boating.

If equipped, the addition of an external fuel/water separator by Uttern has been determined to be within Mercury specification and will not restrict the flow of adequate fuel to the engine. The filter is located on the port side of the vessel and can be accessed via the floor hatch located in the aft seat storage tub. The filter is connected to the SmartCraft® instrumentation and will warn you when maintenance is required. For more information, refer to the engine manufacturer's manual in your owner's manual package.

### Maintenance

Periodically inspect for the presence of water in the fuel tank. If any is found, all water must be removed and the tank completely dried before refilling the tank with any fuel containing ethanol.

### Storage

Long periods of storage and/or non-use, common to boats, create unique problems. When preparing to store a boat for extended periods, of two months or more, it is best to completely remove all fuel from the tank. If it is not possible to remove the fuel, maintaining a full tank of fuel with a fuel stabilizer added to provide fuel stability and corrosion protection is recommended.

REFER TO THE ENGINE MANUFACTURER'S MANUAL IN YOUR OWNER'S MANUAL PACKAGE FOR COMPLETE INSTRUCTIONS AND WARRANTY INFORMATION.

#### ⚠ CAUTION

E85 FUELS COULD SERIOUSLY DAMAGE YOUR ENGINE AND MUST NEVER BE USED.

#### ⚠ CAUTION

The use of fuels containing ethanol higher than 10 percent (E-10) can damage your engine and/ or fuel system and will void the warranty.

#### ⚠ WARNING

Do not obstruct or modify the ventilation system.

## 2. Bilge Pump

Your vessel is equipped with a single bilge pump located in the aft section of the boat. Access to the bilge pump is via the motorwell access plate. The bilge pump is rated at 500 GPH, and is activated automatically by a built in mercury free float switch when the water in the bilge reaches a predetermined level. You can also manually operate the bilge pump at the console by pressing the bilge pump switch at the helm.

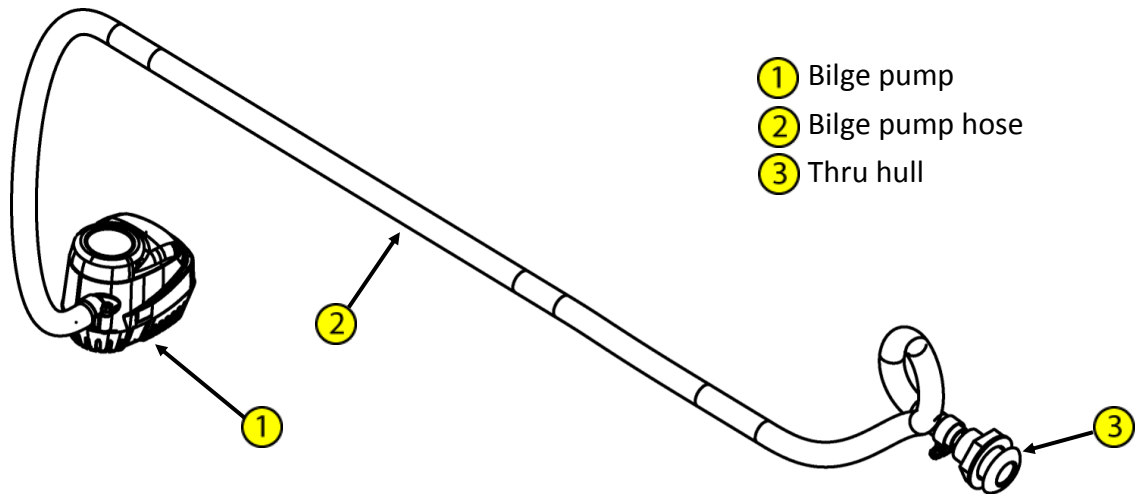
Inspect the bilge pump intakes and keep them free of dirt or material which may impede the flow of water through the pump. To clean the pump strainer, depress the lock tabs on both sides of the pump and lift the pump motor.

If water does not come out of the discharge hose:

1. Remove the motor module to see if the impeller rotates with the power on.
2. Remove any debris that may have accumulated in the nozzle section or strainer base.
3. Check hose and connection on hull side for debris and proper connections.

## Uttern T53 — System & Component Overview and Operation

Typical Bilge Pump System



### **WARNING**

The bilge pumping system is not designed for damage control.

### **NOTICE**

Check the function of all bilge pumps at regular intervals. Clear pump inlet from debris.

### 3. Fire Prevention

Fire is a serious boating hazard. Boats will burn quickly. Do not remain onboard and fight a fire for more than a few moments. If the fire is out of control and cannot be put out with the fire suppression equipment onboard, abandon ship immediately.

The boat, when in service shall be equipped with the following portable fire extinguisher:

1. Fire Rating 13A 89B C

The boat owner/operator shall:

1. Have the fire fighting equipment checked at the intervals indicated on the equipment.
2. Replace portable fire extinguisher equipment, if expired or discharged, by devices of identical fire fighting capacity.
3. Have fixed systems refilled or replaced when expired or discharged.
4. Ensure that the fire fighting equipment is readily accessible when the boat is occupied.
5. Inform the members of the crew about the location and operation of the fire fighting equipment, the locations of discharge openings in to the engine space, and the locations of escape routes and exits.
6. Unlock any deck hatches, or any other locked escape openings.
7. Keep the bilges clean and check for fuel and gas vapors or fuel leaks frequently.

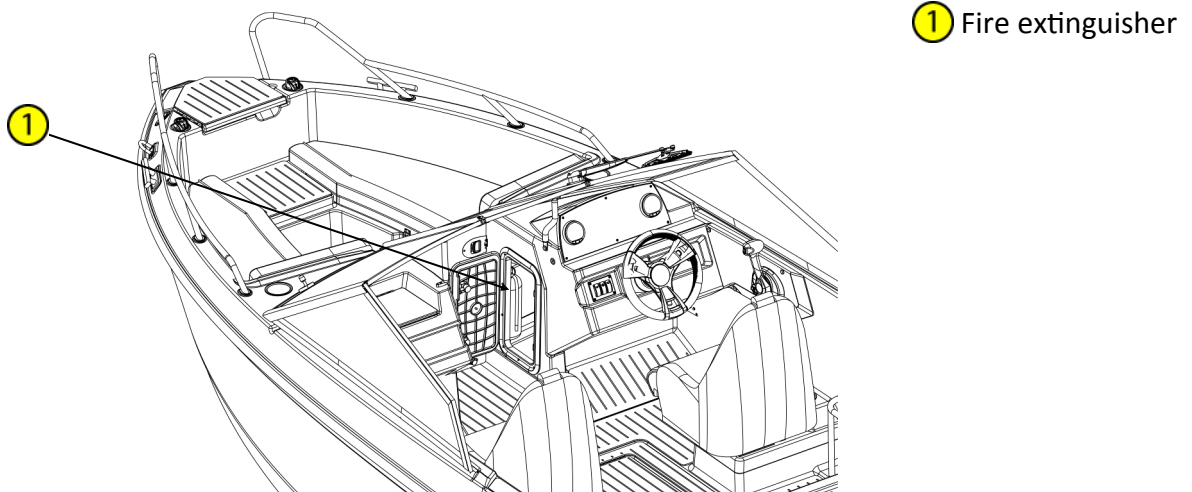
The fire extinguisher is located in the starboard console storage area.

### **WARNING**

Never obstruct passageways to exits or hatches, obstruct safety controls (fuel valves, LPG valves, electrical switches, etc.) obstruct portable fire extinguishers stowed in lockers, or modify any of the craft's system (especially fuel, LPG, or electrical) or allow unqualified personnel to modify any of the craft's system.

## Uttern T53 — System & Component Overview and Operation

Fire Extinguisher



### 4. Carbon Monoxide Monitor

Uttern boats are equipped with carbon monoxide (CO) monitors in the cabin and enclosed berths or staterooms. Carbon Monoxide is an odorless, colorless, and tasteless, extremely toxic gas produced by engines, heaters, stoves or generators. When inhaled it combines with hemoglobin in the blood, preventing absorption of oxygen and is unlikely to be noticed until the person is overcome. Prolonged exposure to low concentration or very short exposure to high concentrations can result in asphyxiation and death.

Symptoms of Carbon Monoxide poisoning include dizziness, headaches, ringing in the ears, nausea, or unconsciousness. **GET MEDICAL ATTENTION AS SOON AS POSSIBLE.** These symptoms are often confused with seasickness or intoxication, so those affected may not receive the medical attention they need. The poisoning victim's skin often turns cherry red. If CO poisoning is suspected, have the victim breathe fresh air deeply. If breathing stops, resuscitate. A victim often revives, then relapses because organs are damaged by lack of oxygen.

#### Carbon Monoxide Accumulation & Prevention

Carbon Monoxide can accumulate in dangerous concentrations anywhere in or around your boat including on back decks, swim platforms, or in water around generator exhausts. CO can remain in or around your boat at dangerous levels even if your engine is no longer running. To minimize the risk of Carbon Monoxide poisoning, consider the following:

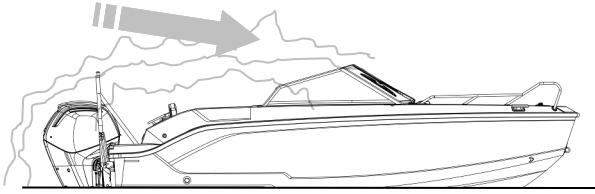
- Make sure that at all times, there is good ventilation throughout the boat. Open all hatches, portlights, or canvas openings to let fresh air circulate.
- Never operate the boat with the canvas enclosure unless there is ventilation throughout the boat (i.e. forward and aft canvas panels are removed to allow air flow through the boat).
- Never operate the boat with only the cabin entry door opened.

In the event that the Carbon Monoxide alarm activates:

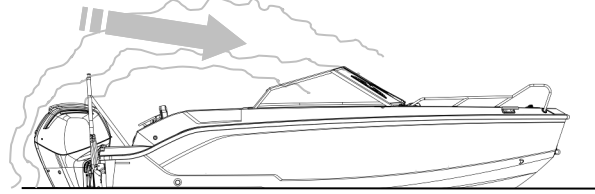
- Do not ignore the alarm.
- Evacuate enclosed areas immediately.
- Shut OFF any fuel burning equipment or appliances
- Open hatches, doors, portlights and canvas openings to improve ventilation.
- Head the boat into the wind.

## Uttern T53 — System & Component Overview and Operation

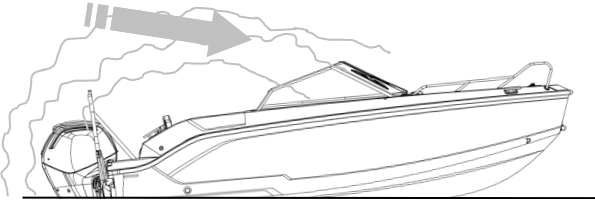
### Accumulation of Carbon Monoxide Examples



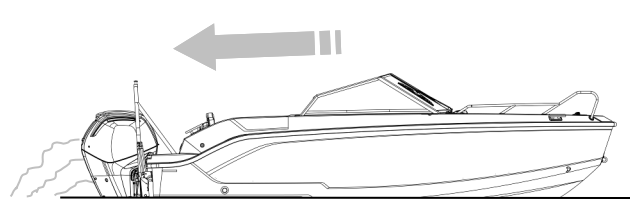
Wind blowing exhaust towards boat occupants



Operating at slow speed or dead in the water



Operating with "bow high" attitude



Good air flow — open all hatches, portlights or canvas openings to let fresh air circulate

### Carbon Monoxide Monitor

The CO monitor is an electronic instrument that detects carbon monoxide. The detector is very sensitive and will notify you before dangerous amounts of CO can accumulate which will allow you to take measures to dissipate the gas from the affected areas. When there is a buildup of CO in the cabin, the monitor will alert the occupants by flashing a DANGER light and sounding an alarm. The CO monitor is powered through a breaker on the battery panel in the cockpit.

It is extremely important that you become familiar with the CO monitor and its functions.

### Testing the CO Monitor

Test the monitor on your boat at manufacturers required intervals by pushing the TEST button on the front of the unit. If the unit is operating correctly both audible and visual warning indicators will be activated.

### End of Life Signal

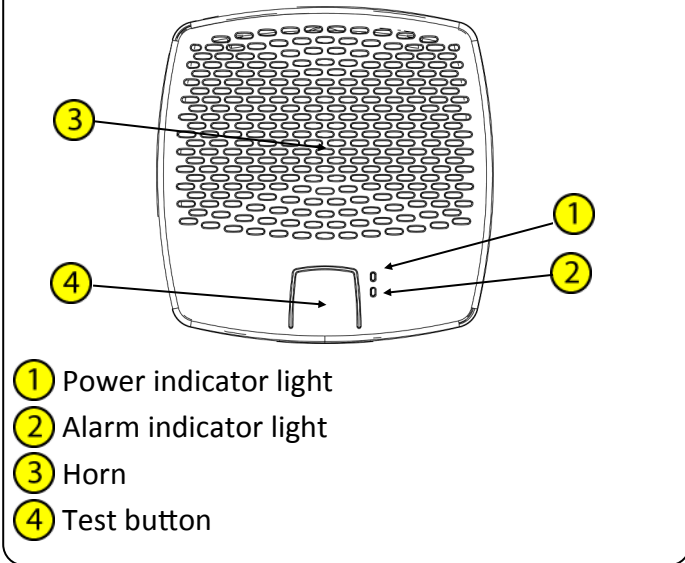
Your CO detector is equipped with an End Of Life (EOL) signal indicating the sensor used in the unit has reached the end of its service life and must be replaced. The detector contains an electro-chemical sensor that will last approximately 7 years. Refer to your unit's operation manual for EOL signal indication and further information and instructions.

The EOL signal can be deactivated so that it does not alarm. DEACTIVATING THE CO ALARM IS PERMANENT. REACTIVATING IS NOT POSSIBLE. DO NOT DEACTIVATE UNLESS YOU HAVE A REPLACEMENT ALARM AVAILABLE TO INSTALL!

REFER TO OWNER'S MANUAL PACKAGE FOR INSTRUCTIONS AND WARRANTY INFORMATION.

# Uttern T53 — System & Component Overview and Operation

Carbon Monoxide Monitor



## **⚠ DANGER**

Fumes for the engine(s), generator, LPG stoves, and other equipment that burns fuel contain Carbon Monoxide. Carbon Monoxide can kill you. Open all doors, hatches, curtains, and windows to allow fresh air to circulate.

## **⚠ DANGER**

Never ignore an alarm.

## **⚠ CAUTION**

To reduce the risk of Carbon Monoxide poisoning, test the monitor operation when not in use for 10 days or more.

## 5. Steering

Your boat comes equipped with a hydraulic steering system. The basic system for a single engine boat contains a steering wheel, a hydraulic helm pump, a hydraulic steering cylinder, and hydraulic hoses.

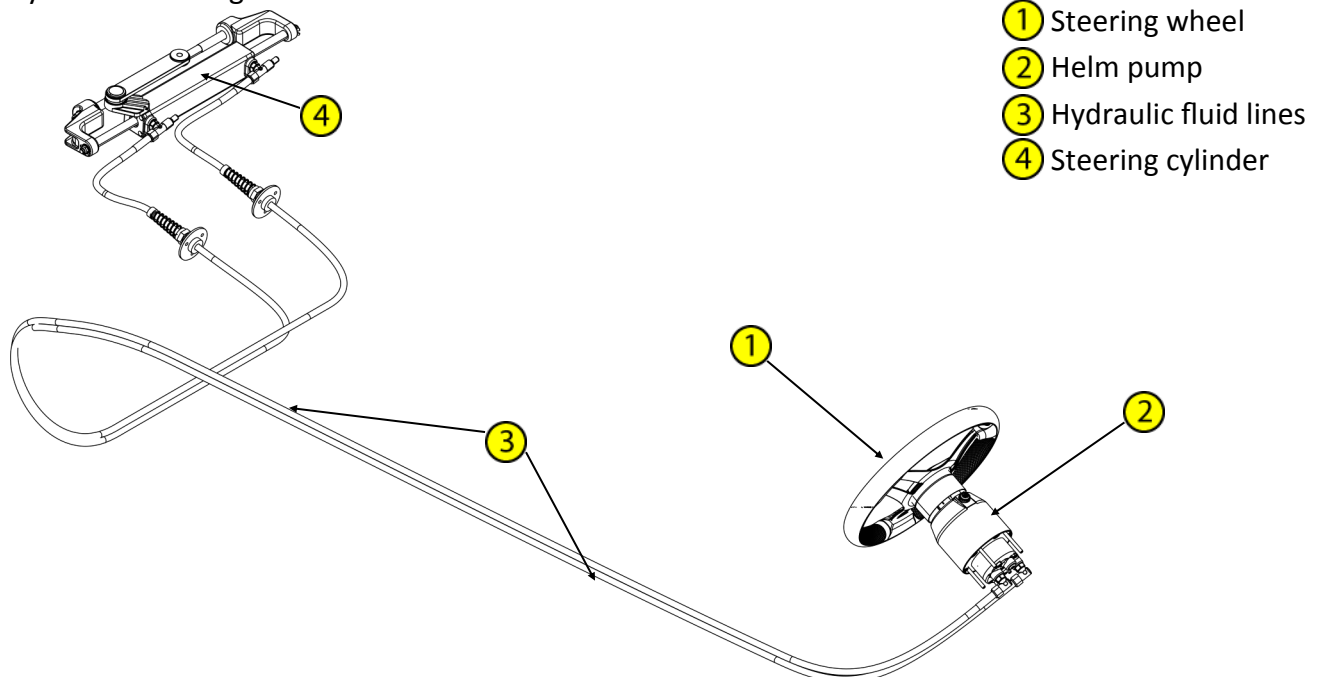
### Operation

When turning the steering wheel, the helm pump forces hydraulic fluid through hoses to and from the steering cylinder which is connected to the tiller arm on the engine. The cylinder moves the tiller arm to either port or starboard, depending upon the direction the steering wheel is turned.

### Filling and Maintenance

A hydraulic steering system rarely needs to be refilled after the system is bled. However, if you ever need to add fluid to the system, refer to the steering manufacturer's manual for complete instructions. The fill point is located on the helm itself, in front of the steering wheel.

Hydraulic Steering



## Uttern T53 — System & Component Overview and Operation

Refer to the steering manufacturer's manual in owner's manual packet for complete instructions and warranty information.

### 6. Engine Controls

Your boat is equipped with a mechanical gear shift/throttle control unit. The control unit, located to the starboard of the steering wheel, activates both the shifting and throttle for the engine.

To start the engine, the control unit must be in the NEUTRAL position. When in neutral, the engine is running, but the propeller is not spinning. There is a "Throttle-Only" button that when pressed, will allow you to operate the throttle without the propeller spinning. On the mechanical shift controller, the button is located at the center of the throttle control, and when moved back to the center position, the button will automatically re-engage the shifting mechanism.

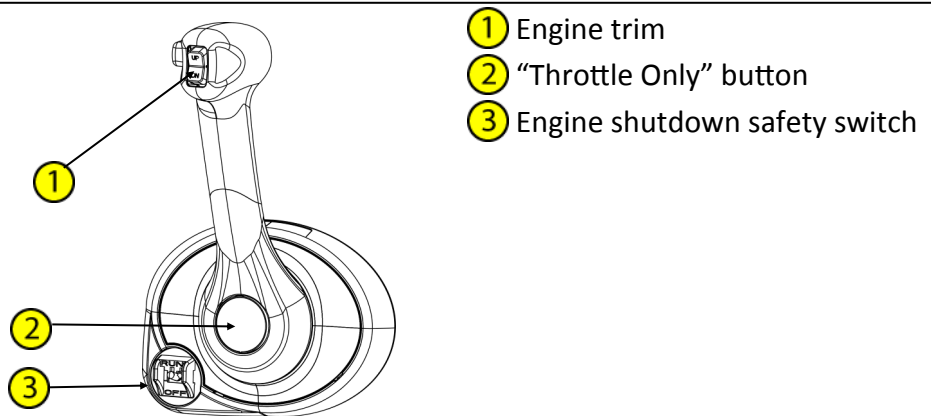
Moving the control lever forward from neutral engages the forward gear and throttle advance. Moving the control lever backwards from neutral engages the reverse gear and thrust. The throttle lever controls the RPM of the engine and the speed of the boat.

#### Power Trim & Tilt

The power trim, located on the side of the gear shift throttle handle, allows you to raise and lower the engine for trailering and launching the boat. It also allows you to adjust the engine to create the optimum run angle for the boat to achieve best all around performance (fuel consumption, speed).

REFER TO OWNER'S MANUAL PACKAGE FOR INSTRUCTIONS AND WARRANTY INFORMATION.

Mechanical Controls



### 7. Emergency Engine Shutdown Switch

Your boat is equipped with an engine shutdown safety switch built into the engine control unit. The engine shutdown switch incorporates a shut-off switch and a lanyard. Before operating the boat, one end of the lanyard must be connected to the shut-off switch while the other end is connected to the operator. If an emergency arises where the engine must be shut down, pull the lanyard cord to release it from the shut-off switch, which in turn shuts down the engine. This switch is designed to shut the engine off when the operator of the boat leaves the control station, either accidentally by falling into the boat, or by being ejected overboard.

The lanyard should be long enough to prevent inadvertent activation. Do not let the lanyard become entangled.

#### **WARNING**

Wear the lanyard at all times when operating the boat. Use it to stop only in an emergency. DO NOT use it to shut off the engine during normal operation

## Uttern T53 — System & Component Overview and Operation

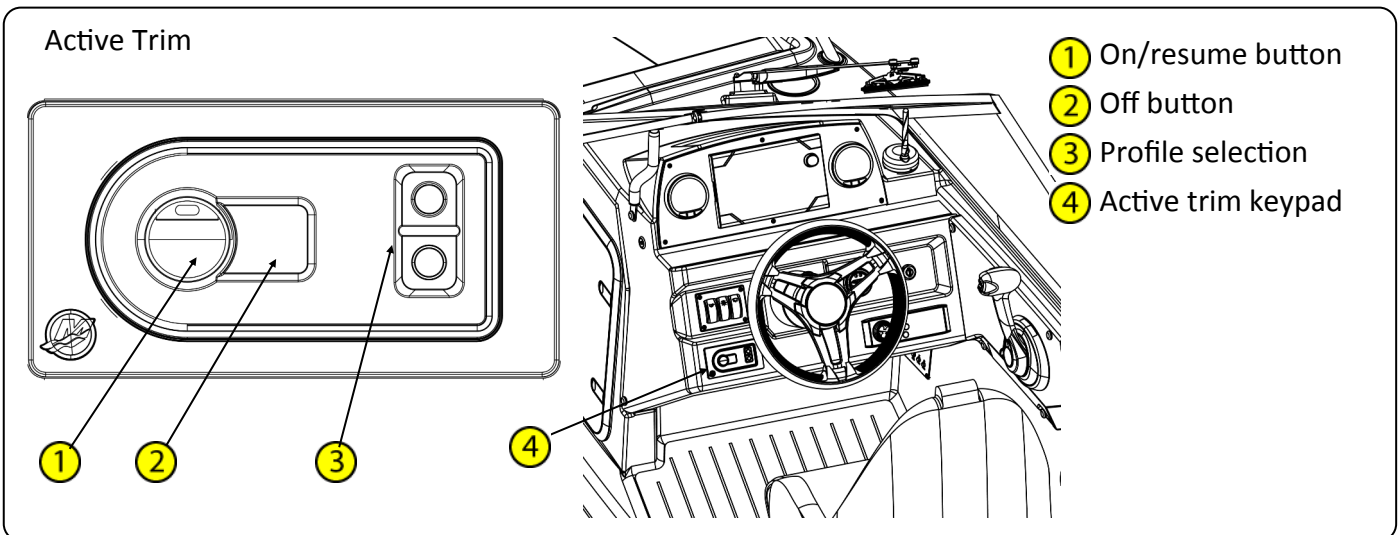
### 8. SmartCraft® System Gauges

The instrument package on your boat includes a SmartCraft® tachometer and speedometer multi-gauge system. By pressing the “mode” button on the gauge, specific information vital to the safe operation of the vessel can be displayed. Refer to your SmartCraft® gauge owner’s manual for specific information on how to get the most out of the multi-gauge display.

### 9. Active Trim (optional)

Your boat may come equipped with the Active Trim system from Mercury. Active Trim automatically adjusts the engine trim based on boat speed to optimize performance and fuel economy. The system allows for the owner to either use the default system programmed, or create their own trim profile. At anytime the user can override the automatic trim system by simply pressing the trim button on the shifter.

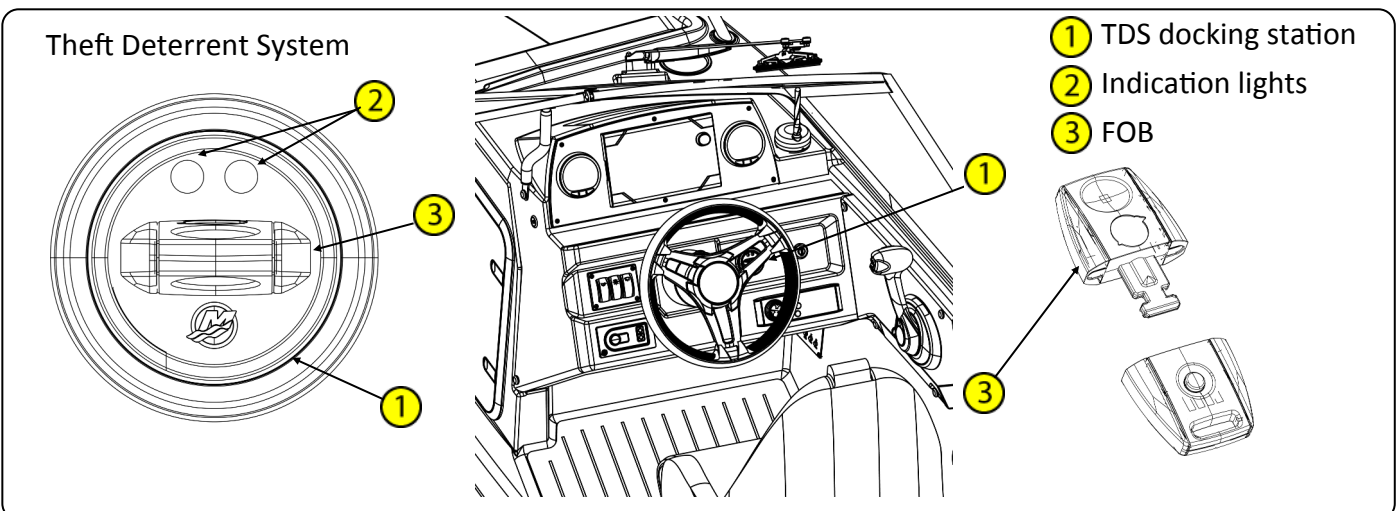
The Active Trim keypad is located at the dash, just left of the steering wheel. Refer to the manufacturer’s manual for complete instructions and warranty.



### 10. Theft Deterrent System (optional)

The theft deterrent system (TDS) provides additional security to your vessel allowing you to immobilize the engine if someone starts the engine without inserting the fob.

If the fob is missing or not the correct one, a red light on the docking station indicates that you will be able to start the engine but RPM and performance is limited, allowing only slow speed operation. When the fob is plugged in, a green light on the docking station indicates that the TDS is de-activated



## Uttern T53 — System & Component Overview and Operation

and engine will operate normally. The TDS is located on the starboard side of the helm next to the engine key.

Refer to the manufacturer's manual for complete instructions and warranty.

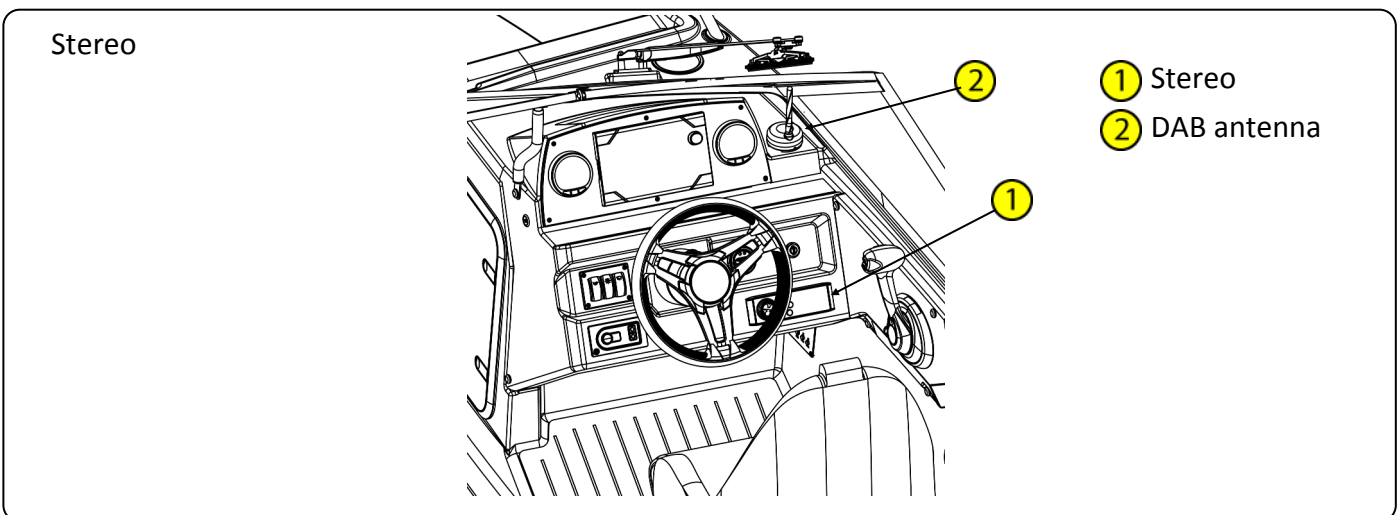
### 11. Stereo (optional)

Your boat may come equipped with an AM/FM stereo with Bluetooth®. The stereo unit is located on the dash, and you can connect an external player for music playback through the boat's stereo via the Bluetooth® settings. If equipped with a factory installed GPS and vessel link, the stereo can be controlled via screens on the GPS unit. Refer to the GPS manual for complete instructions.

In certain countries, radio signals are broadcasted digitally. Uttern offers a DAB antenna, where required, for reception of digital broadcast signals.

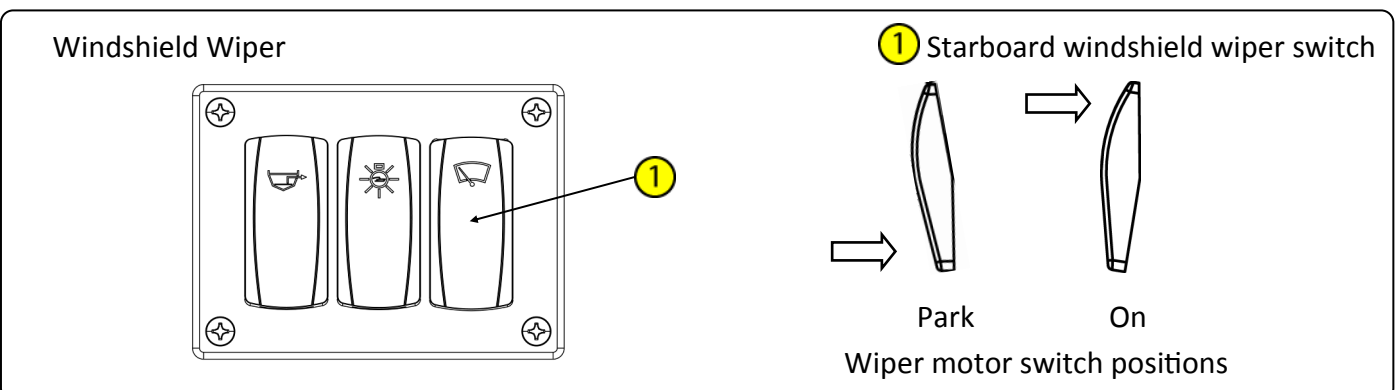
There are two speakers on the boat, located in the cockpit.

REFER TO THE MANUFACTURER'S MANUAL FOR COMPLETE INSTRUCTIONS AND WARRANTY.



### 12. Windshield Wiper (Optional)

Your boat may be equipped with a single speed windshield wiper system on the starboard windshield for use in inclement weather. To use, simply press the windshield wiper switch located at the helm. Pushing the switch at anytime to the full down position will return the wipers to the park position.



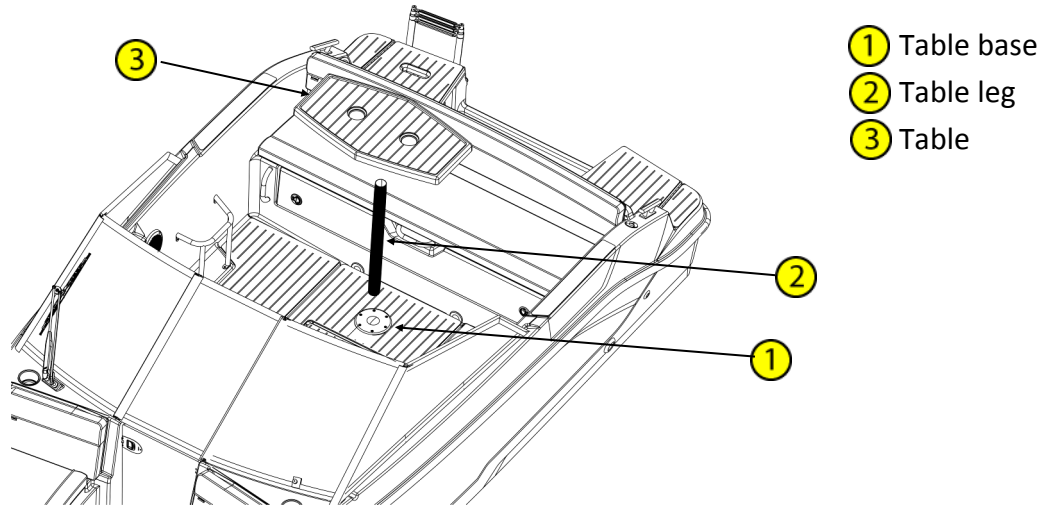
### 13. Cockpit Table (optional)

Your boat may come equipped with a fiberglass / teak table located in the cockpit. To install the table, first remove the plastic cover located in the table base plate. Next, push and lock the table leg into the base plate. Finally, place the table onto the table leg. When not in use, the table can be placed in the

## Uttern T53 — System & Component Overview and Operation

cockpit floor storage, while the table leg is stored in the aft cockpit storage.

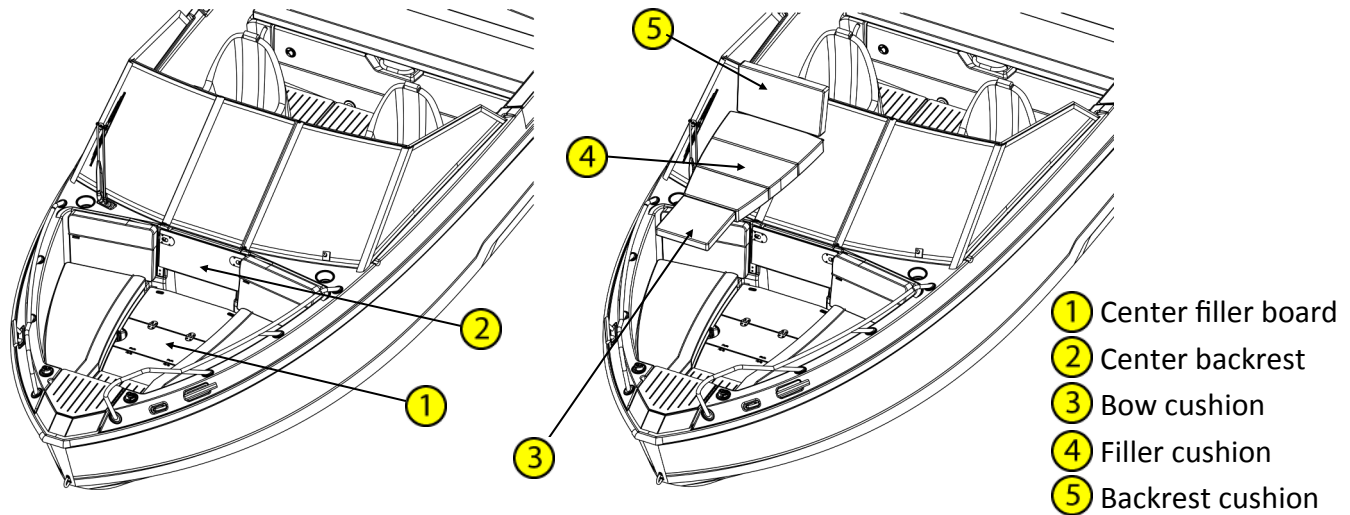
Cockpit Table



### 14. Sun Lounge (optional)

Your boat may come equipped with an optional bow sun lounge. The bow sun lounge consists of a filler panel, two cushions, and a backrest. To use, first install the center filler panel between the bow seat and the console seat. The filler panel is self locking between the two seats. Next, install the center backrest by sliding it in position via the tracks. Finally, snap the cushions into place. When not in use, the filler panels and cushions can be stored in the port and starboard console.

Sun Lounge

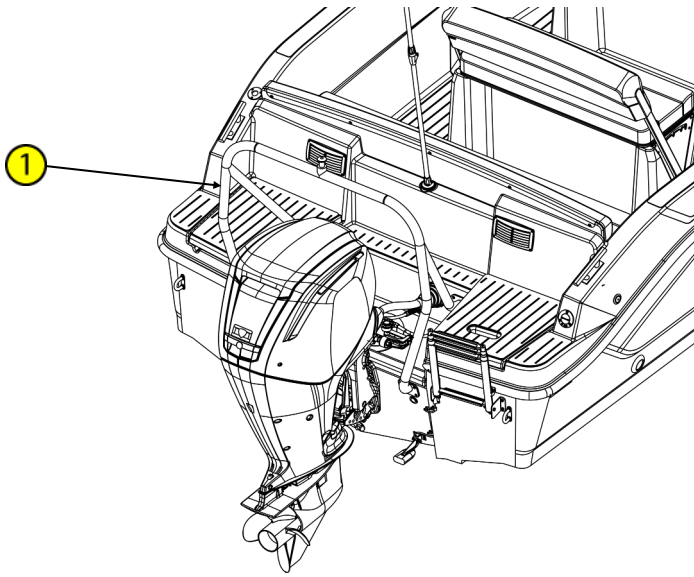


### 15. Ski Tower (optional)

Your boat may come equipped with an optional ski tower for water skiing or wakeboarding. If you are tubing or engaging in other recreational towing, Uttern recommends that you attach the tow rope to the stern eyes at the transom of your boat.

# Uttern T53 — System & Component Overview and Operation

Ski Tower



1 Ski tower

## WARNING

Only tow water skis or wakeboards. Do not tow parasails, kits, or other boats. Do not tow more than two persons at one time. Use caution with skier in tow as rope may snap back into cockpit when released. Failure to follow these guidelines may result in injury or death.

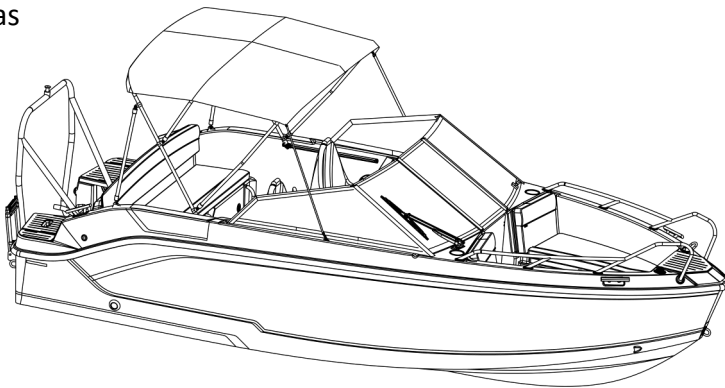
### 16. Canvas (optional)

A bimini with frame and vinyl panels that fully encloses the cockpit can be installed on your boat.

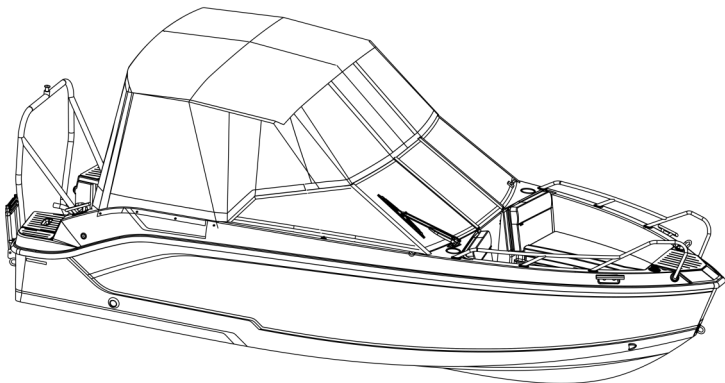
#### Bimini

When not in use, the bimini can be stored in an aft position where it does not interfere with the use of the boat. In this position, always make sure that the bimini is secured in the canvas boot. To use the

Canvas



Bimini



Full Enclosure

---

## Uttern T53 — System & Component Overview and Operation

---

bimini, remove the canvas boot and rotate the two bimini frames forward and secure the bimini straps to the deck trail. DO NOT OPERATE YOUR BOAT WITHOUT THE BIMINI STRAPS ATTACHED TO THE DECK.

### **Bimini with Full Enclosure**

In addition to the bimini, clear vinyl panels can be installed to enclose the cockpit. Each panel attaches to the bimini with a zipper and snaps or studs are used to attach to the deck.

#### **NOTICE**

NEVER TRAILER THE BIMINI OR BIMINI WITH ENCLOSURE IN THE UPRIGHT POSITION.

The bimini canvas must be secured in the canvas boot with the rails in the stored position before trailering.

#### **⚠ WARNING**

NEVER OPERATE THE VESSEL WITH THE CANVAS ENCLOSURE UNLESS THERE IS VENTILATION THROUGHOUT THE BOAT. The forward and aft canvas panels must be removed to allow air flow through the boat so Carbon Monoxide cannot accumulate.

# Uttern T53 — Electrical Systems

## 1. DC Electrical System

The DC electrical system is powered by a single battery, and is kept charged by the engine driven alternator. The battery voltage is indicated by the voltmeter screen located on the SmartCraft® tachometer, or on the optional GPS with Vessel Link.

## 2. Battery

Uttern recommends AGM type starting or a deep cycle battery for your boat. The battery must meet the minimum capacity required by the engine manufacturer. Refer to your engine owner's manual for exact battery requirements.

To remove the battery cables:

1. Turn off all items drawing power from the battery.
2. Turn the battery switch to the OFF position.
3. Remove the negative cable first, then the positive cable.

To replace the cables, install the positive cable first, then the negative cable.

## 3. Battery Box

The battery is located in the aft bench seat tub. It can be installed or removed by loosening the strap and removing the lid on the battery box. The battery should always be installed and secured within the battery box on your boat. This will ensure that the battery will not move around while the boat is underway.

### ⚠ CAUTION

Never use an open flame in the battery storage area. Avoid striking sparks in the battery area.

### ⚠ CAUTION

Always disconnect the battery before doing any work on the electrical system. Never turn off the battery switches or disconnect the battery cables while the engines are running.

## 4. Battery Selector Switch

Your vessel is equipped with a battery switch to control the delivery of DC power from the battery. The battery switch panel is located in the aft bench seat tub. When you turn the battery switch to the ON position, power is provided from the battery to the entire boat. To turn on power, rotate the switch clockwise 90 degrees to the ON position.

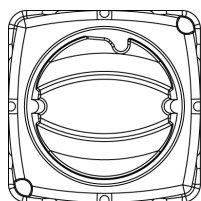
### NOTICE

The bilge pumps and stereo memory still draw power from the batteries, even if the switches are set to OFF. This is especially important for the bilge pumps, so that they can operate anytime excess fluid accumulates in the bilge, which can occur when the boat is docked and unattended.

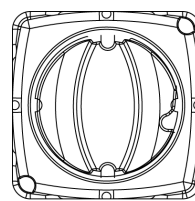
### ⚠ WARNING

Never work on the electrical system while the system is energized. Never leave the craft unattended with the electrical system energized.

### Battery Switch Operation



OFF Position



ON Position

## Uttern T53 — Electrical Systems

### 5. Fuses and Breakers

Your boat will either have fuses or breakers protecting the DC electrical system. If you have to replace a fuse or electrical breaker, replace only with a fuse or breaker of the same rating. The amperage will be marked on the fuse or breaker, and it is recommended that you carry spare fuses or breakers.

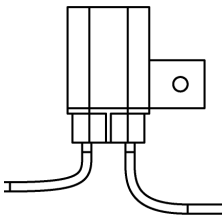
#### ⚠ WARNING

Use only fuses and breakers having the same amperage rating as the original or as specified. Use of higher amperage fuses or breakers is a fire hazard.

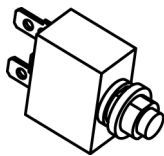
If a fuse or breaker is replaced with one that has a lower amperage, it may not be sufficient to carry the electrical load of the equipment it is connected to and will cause nuisance failures. If a fuse or breaker is replaced with one that has a higher amperage, it will not provide protection against an electrical malfunction and could create a possible fire hazard.

The T53 has a breaker panel at the helm, located under the dash. There is also additional breakers located on the battery switch panel in the aft bench seat tub.

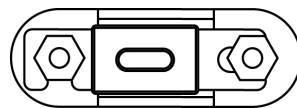
#### Fuses and breakers



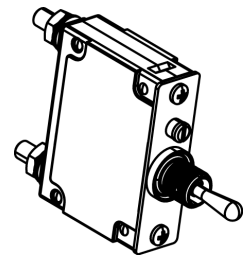
ATO/ATC fuse



Thermal breaker

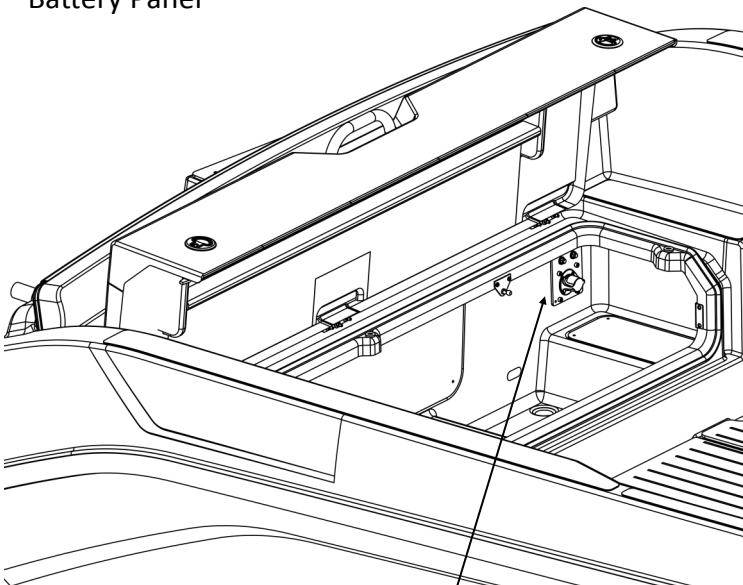


ANL fuse

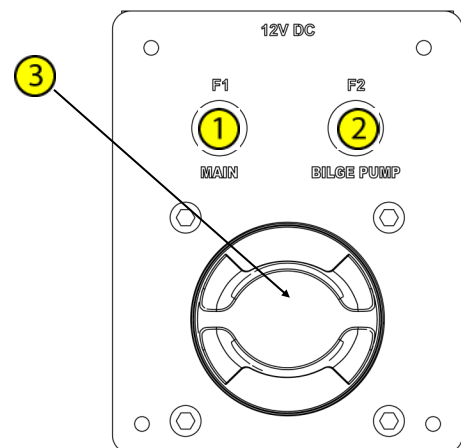


Magnetic breaker

#### Battery Panel



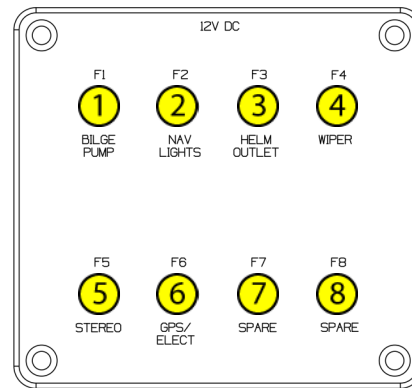
Panel location



- ① Main fuse — 20 Amp
- ② Auto bilge pump fuse — 3 Amp
- ③ Battery switch

### DC Helm Panel

- ① Aft bilge breaker — 3 Amp
- ② Navigation lights breaker — 3 Amp
- ③ Helm outlet — 5 Amp
- ④ Wiper — 5 Amp
- ⑤ Stereo breaker — 10 Amp
- ⑥ GPS / Electronics breaker — 5 Amp
- ⑦ Spare — 5 Amp
- ⑧ Spare — 5 Amp

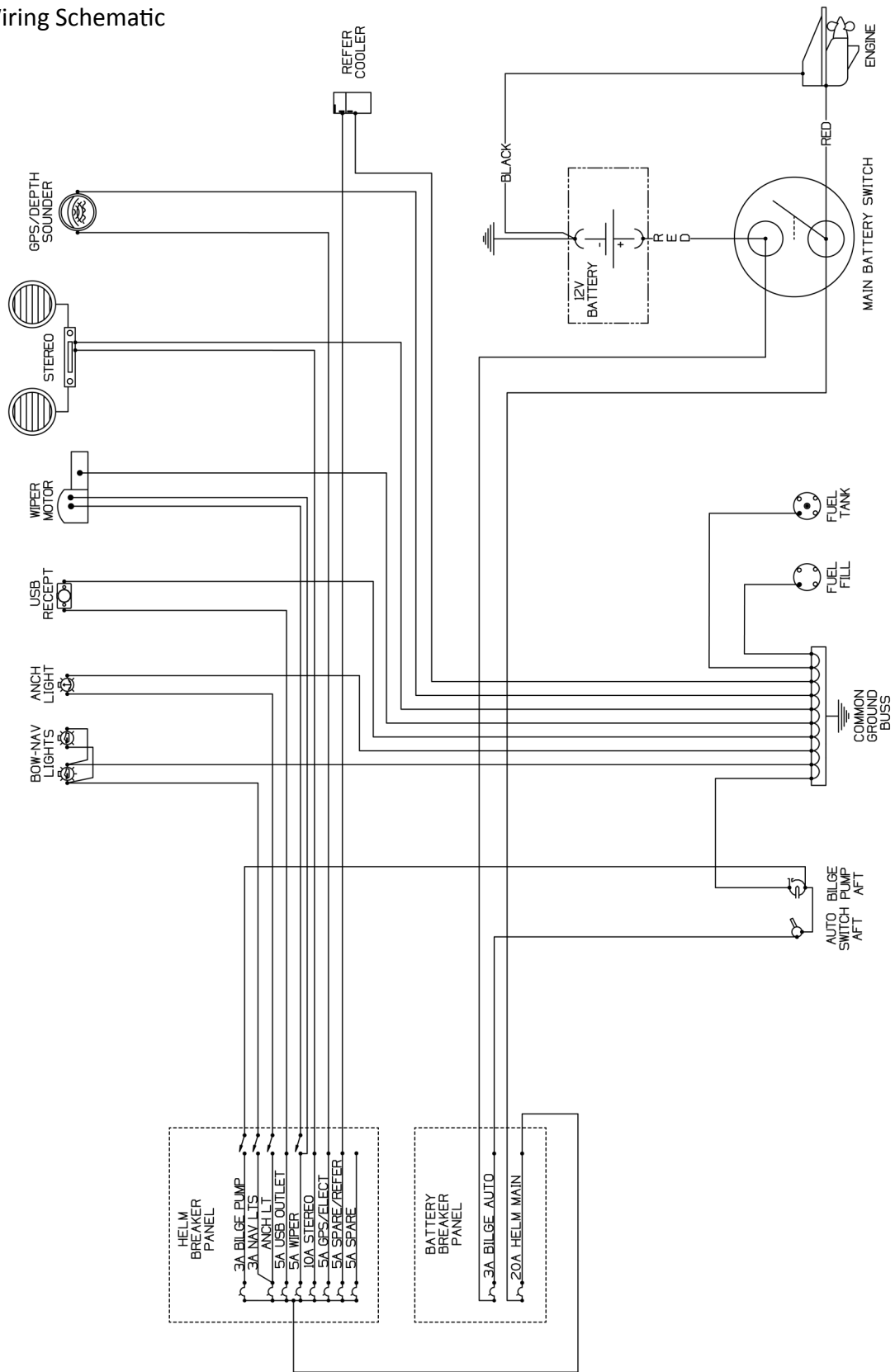


### 6. Electrical Schematics

This owner's manual contains electrical schematics and wiring harness illustrations for your boat. These electrical schematics were generated by the Electrical Engineering Department for technical reference and service technicians. Uttern does not recommend that you attempt to work on the boat's electrical system yourself. Instead, we recommend that you take your boat to your local authorized Uttern dealer for service. Uttern reserves the right to change or update the electrical system on any model at any time without notice to the consumer and is not obligated to make any updates to units built prior to the change.

# Uttern T53 — Electrical Systems

DC Wiring Schematic



---

## Uttern T53 — Maintenance

---

### 1. Maintenance

Routine inspection, service and maintenance of your boat, systems and components are vital to assure your safety, and will prolong the life of your boat.

The interval between necessary service or maintenance is highly variable, depending on the environment in which your boat will be used. For example, corrosion of boat parts and components will occur far more rapidly in a salt water environment than on a boat which is used in fresh water.

This section provides only general guidelines for the care and cleaning of your boat. It is your responsibility to determine whether maintenance and care intervals need to be accelerated due to your boat usage and/or operating environment. If you have any question regarding maintenance of your boat, contact your local Uttern dealer for additional assistance.

#### DANGER

When using chemicals, read all information from the manufacturer regarding safety and handling of the material. Wear proper protective equipment to ensure personal safety. Work only in well ventilated areas and keep all chemicals away from open flames.

#### NOTICE

Refer to the individual manufacturer's manuals, which can be found in the Owner's Manual packet, for care and maintenance of equipment and components. In some cases, failure to do so could void the warranty.

### 2. Hull & Deck Surfaces

Fresh water, saltwater and water temperature can all affect the types of growth that you will find on your boat's hull. Any growth will affect the boat's performance and overall look. If it has been a while between inspections you might notice algae or slime growth on the hull. This can be cleaned with a coarse towel or soft bristle brush. The growth should be cleaned immediately after the boat has been removed from the water. If the growth is allowed to dry it will be much harder to remove.

Compounding may be necessary to remove more stubborn stains and chalking from the surface of your boat. If compounding is necessary it must be done after a thorough washing and prior to waxing. If the growth is more severe, you may need to enlist the services of a professional hull cleaning company. Check with your Uttern dealer for recommendations on a compatible rubbing compound for your boat or a professional hull cleaning company in your area.

#### Waxing Gel Coat Surfaces

Waxing is necessary to provide added protection to the gel coat. A good cleaning and waxing will also ensure that your boat will be protected and look good longer. Make sure the surface of your boat has received a thorough washing and rinsing and is clean before waxing. Next, verify that any minor scratches or surface pitting is cleaned of compound residue. Use a good quality carnauba wax or a high quality wax designed for marine gel coat. Apply several coats.

#### NOTICE

Waxing of the exterior surfaces is recommended to be done at least twice a year to protect the gel coat of your boat.

#### Gel Coat Surface Maintenance

If using a pressure washer to clean the hull and deck surfaces of your boat it is important that you use the wide fan nozzle only and move the spray head in a continuous motion. Do not concentrate the high pressure on a small area of the boat surface and never use the fine pinpoint nozzle as the concentrated stream can cause damage to the surface of your boat. Do not pressure wash the helm as the water stream may damage the electronics and gauges as well as other sensitive equipment.

---

## Uttern T53 — Maintenance

---

When staining from build-up does occur, use only cleaning agents that are recommended for marine gel coat. Never use an abrasive cleaner to wash your boat's hull, nor use an abrasive pad to attempt to remove stubborn stains. Never use strong solvents to clean.

### 3. Component Maintenance

#### Stainless Steel

Stainless steel is strong and corrosion resistant, but still requires maintenance to keep its appearance. Frequent routine cleaning of your stainless steel will help maintain the finish.

Uttern recommends that you wash stainless steel components with mild soap and cold or lukewarm water after every use of the boat. If added protection is necessary, apply a cleaning wax.

Even the finest cleaning powders can scratch or burnish a mill-rolled surface. On polished finishes, rubbing or wiping should be done in the direction of the polish lines, not across them.

Crevice corrosion, a brownish coloring which occurs where two pieces of stainless hardware meet is caused by impurities in water and air. It can be easily cleaned with a good grade marine polish using a sponge, cloth or small bristled brush (for nooks and crannies).

#### NOTICE

The cleaner your stainless steel can be kept, the greater the assurance of optimum corrosion resistance. Without proper care even the best stainless steel will corrode.

#### NOTICE

Never use abrasive cleaners, detergents or soft scrub type cleaners to clean stainless steel. Never use abrasive pads, brushes or sponges to attempt to remove stubborn stains. Never use strong solvents or detergents which contain chlorine, and never use silver cleaners.

#### Cushions

Saltwater, salt residue, dirt, ultra-violet rays etc. will take their toll on vinyl products causing them to lose their luster and texture. To clean, remove ordinary dirt and smudges with a mild soap and water solution. Dry with a soft, lint-free cloth or towel. More difficult stains can be cleaned using rubbing alcohol (isopropyl alcohol). Rinse cleaned area with fresh water and dry with a clean, soft, lint-free cloth or towel.

Your cushions are not waterproof. They are constructed of open-cell foam and will absorb and hold water. Do not leave the cushions in standing water or exposed to heavy, prolonged rain. If, in the event your cushions become waterlogged, remove the foam from the cushion, press as much water as you can from the foam and allow to air dry. To prevent mildew, keep the vinyl dry and make sure that moisture does not accumulate between the cushions.

#### CAUTION

Solvents are flammable. Exercise proper care. Wear rubber gloves during all cleaning activity. Use caution when cleaning around stitching or decorative trim as these solvents could seriously damage such areas.

#### Canvas

Chafing, fiber wear from dirt and grit and deterioration from ultraviolet light can cause your canvas to degrade over time. The fabric should be cleaned regularly before substances such as dirt, pollen, etc. are allowed to accumulate on and become embedded in the fabric. The canvas can be cleaned without being removed from the installation.

---

## Uttern T53 — Maintenance

---

After each use, especially if used in salt water areas, rinse the canvas completely with fresh cold water.

On a regular basis, brush off any loose dirt, pollen, etc., and hose down with water and clean with a mild solution of a natural soap in lukewarm water (maximum 38°C). Allow the canvas to soak, however, do not let the soap dry. Rinse thoroughly with fresh water. Let the canvas dry completely. Do not store any of the canvas pieces while wet.

The effects of ultraviolet light can sometimes be reduced by chemical treatment of canvas items. Consult your Uttern dealer or check your canvas manufacturer's manual before using any chemical treatments on your canvas.

To clean stubborn stains, soak fabric for approximately twenty minutes in a mild solution consisting of no more than 30 ml of bleach and 15 ml of natural soap per liter of lukewarm water (not to exceed 38° C). Rinse thoroughly in cold water several times, then allow the fabric to air dry completely. Retreat the fabric using an air curing product such to ensure water and stain repellency. Refer to the canvas vendor's recommendation for additional information.

### Zippers & Hardware

Lubricate zippers and fasteners periodically with a clear silicone spray. In the absence of silicone spray, a wax candle can be used to lubricate the zipper track. Replace any missing fasteners or any fasteners showing signs of corrosion.

#### NOTICE

DO NOT use petroleum based products, such as petroleum jelly, on the zippers or fasteners.

### Vinyl Windows

The canvas on your boat may incorporate Eisenglass polycarbonate windows. Regular cleaning, utilizing compatible cleaners, coupled with proper maintenance techniques will significantly improve the vinyl's service life.

#### NOTICE

Never use regular window cleaners, detergents, abrasives, petroleum based products, or alcohol to clean your vinyl windows. Do not handle vinyl with sunscreen on your hands. Sunscreen will permanently cloud the vinyl where handled. Do not fold vinyl panels. Store flat or rolled with smooth paper or soft cloth between layers when dry.

Rinse vinyl thoroughly with clean water to remove any dust, dirt particles, salt water or environmental agents before applying cleaning products. This should be done frequently to avoid build up of salt water, dirt and other environmental contaminants. Using a soft non-abrasive cloth, wash windows inside and out with a mild soap and water solution. Rinse completely with cool water. DO NOT USE DETERGENTS.

Use separate clean, soft cloths or sponges for application of cleaners and polishes (Use the manufacturer's recommended products). Only use a small amount of cleaner or streaking may occur. If you get streaking or a leftover film, rinse the window with clean water.

---

## Uttern T53 — Maintenance

---

Dry the window with a soft cloth or chamois to prevent water spots. Polish with a separate cloth. Don't leave cleaners on for long periods; immediately wash the window. Finally, don't apply cleaners in direct sunlight or at elevated temperatures.

To minimize fine or hairline scratches apply a mild automotive polish and remove with a soft, clean cloth. Do not use abrasive plastic polishes.

### Tempered Glass Windshield

Use commercially available glass cleaners or a mixture of fresh water and vinegar to clean your glass windows, windshield or portlights. Dry with a soft terry cloth towel or chamois.

#### NOTICE

DO NOT use abrasives, harsh chemicals, or metal scrapers on glass.

### Acrylic Windscreens & Windows

The use of a polycarbonate protective cleaner/restorer is recommended to keep your acrylic scratch resistant, clean and minimize the deteriorating effects of sunlight.

To clean, rinse the windscreen/window thoroughly with clean water to remove any dust, dirt particles, salt water or environmental agents before applying cleaning products. Use your bare hand, with plenty of water, to feel and dislodge any stuck-on dirt or foreign particles. This should be done frequently to avoid build up of salt water, dirt and other environmental contaminants.

Using a soft non-abrasive cloth, wash windows inside and out with a mild soap and water solution. Rinse completely with cool water. Do not use detergents. Blot dry with a soft cloth or chamois to prevent water spots.

#### NOTICE

Never use a dry cloth or duster or glass cleaning solutions on acrylic. DO NOT use solvents such as acetone, silicone spray, benzene, carbon tetrachloride, fire extinguisher fluid, dry cleaning fluid, lacquer thinner, glass cleaning solution or harsh detergents on acrylic. These substances will attack the surface of the acrylic.

